



FOR YOUR HOME.
FOR YOUR OFFICE.
FOR YOUR LIFE.

FORKS VALLEY WOODWORKING





Forks Valley Woodworking strictly adheres to the proven craftsmanship they inherited from their ancestors. Dovetail joints, superior mortise and tenon construction, and full-extension drawer slides are just a few of the hallmarks of handcrafted furniture. Our artisans hold themselves to extremely high quality standards. This is displayed in the woods selected, the drying and cutting processes the wood must go through, custom finishes that bring out the natural beauty of the grains and hardware choices offered.

Better Because ...

Our woodworkers believe furniture should be simple, durable, and practical. They add subtle curves, beautiful corbels, graceful turnings and elegant ebony insets to accent these fine works of art. Forks Valley Woodworking ... furniture built to last a lifetime and designed to become cherished heirlooms for generations to come.





FORKS VALLEY

WOODWORKING

Beautiful, Durable & Versatile

Each style in the Forks Valley collections is unique in its own way and each decorator has many styles from which to choose depending on the effect desired. When reviewing our offerings, please remember that the choice of woods ... oak, cherry, brown maple, hickory or quartersawn white oak ... enhances the versatility of each style so rustic pieces or more modern pieces can blend well with most any room decor.

Artesa

Artistically Contrasting graceful arches and boldly tapered legs.



Boulder Creek

Dignified display of bowed legs, arches and ebony inlays.



Carlisle

Conservatively Avant Garde with arched door inserts and softly splayed legs.



CENTENNIAL

Arts and Crafts Inspired exposed tenons, mullions and subtle detailing.



Colbran

Historically Charming combination of rustic tenons, angled legs and beveled tops.



Ensenada

Vintage Chic profile with modestly ornate legs and beveled door/drawer fronts.



FORKS CONTEMPORARY MISSION

Simply Mission done the Forks Valley way with arched glass door tops and mullions.



Hoosier Heritage

Traditionally Timeless decorative feet and inset door arches create a sturdy classic look.



Kascade

Iconic Arts & Crafts characteristics include mission-style mullions and ornate end design.



MANHATTAN MISSION

Eclectically Modern with dentil molding and geometric design details.



Modesto

Dramatically Rustic featuring exposed tenons and tapered block legs.



Old Classic Steigh

Robust and Aristocratic offset bowed fronts, curved legs and solid wood tops.



SARATOGA

Retro, Metro, Contemporary bevels, bends, circles and shapes created by only the most skilled artisans.



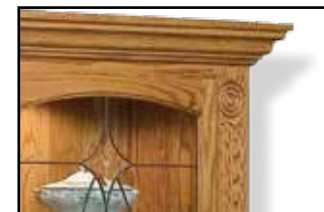
Sierra

Architecturally Interesting legs curve strongly away from the body to add a futuristic touch.



Victorian

Romantic Revival showcasing fluted columns with bullseye detail and leaded glass.



WEST Lake

Symmetrically Pleasing with elements like rope trim, inset drawer fronts and soft curves.



FORKS VALLEY

WOODWORKING

2016

Living Room Occasionals	13
Media Stands, Cabinets & Consoles	37
Large Media Cabinet Sets	69
Media Corner Consoles & Hutches	85
Bookcases & Stereo Cabinets.....	91
Home Office & Business Furnishings	103
Glass, Mullions & Hardware Options.....	129
Dimensional Details	131

Forks Valley

Woodworking respectfully reserves the right to make changes at any time to prices, materials, specifications, hardware, colors/finishes, models and to discontinue models without notice or obligation. Color reproductions are as close as photographic and print reproduction will allow. All woods and finishes show some degree of variation due to the natural characteristics of wood.

Pieces Available in Each Collection

Artesa

Living Room Occasionals	14, 15
Media Stands / Cabinets.....	38, 57
Large Media Cabinet Sets	71
Corner Media Consoles	86
Bookcases	91, 93, 100
Home Office.....	110, 112, 113, 121, 122, 127

Boulder Creek

Living Room Occasionals	16, 17
Media Stands / Cabinets.....	40, 41, 58
Large Media Cabinet Sets	72
Corner Media Con./Hut	86, 88, 89
Bookcases	93, 94, 100
Home Office... ..	110, 112, 114, 120, 123, 124, 127

Bridger Mission

Media Stands	39
Book Cases.....	95, 101
Home Office.....	111

Carlisle

Living Room Occasionals	18, 19
Media Stands / Cabinets.....	42, 45, 59

CENTENNIAL

Living Room Occasionals	20, 21
Media Stands / Cabinets.....	43, 60, 61
Large Media Cabinet Sets	73
Corner Media Consoles	86

Classic

Media Stands	45
Corner Media Consoles	87
Stereo Cabinets	102

Colbran

Living Room Occasionals	22, 23
Media Stands / Cabinets.....	44, 59
Large Media Cabinet Sets	74
Bookcases	92
Home Office.....	115

Ensenada

Living Room Occasionals	24, 25
Media Stands	46
Bookcases	96
Home Office.....	116

FORKS CONTEMPORARY MISSION

Media Cabinets.....	62, 63
---------------------	--------

Grant

Home Office.....	117, 125
------------------	----------

Hoosier Heritage

Media Stands	47
Large Media Cabinet Sets	76, 77
Corner Media Consoles	87
Bookcases / Stereo Cabinets	97, 101, 102

Kascade

Living Room Occasionals	26, 27
Media Stands/Cabinets.....	48, 49
Home Office.....	118, 120, 127

MANHATTAN MISSION

Media Stands/Cabinets.....	50, 66
Large Media Cabinet Sets	75, 78, 79

Modesto

Living Room Occasionals	28, 29
Media Stands / Cabinets.....	52, 67
Large Media Cabinet Sets	80, 81
Corner Media Con./Hut	88, 90
Bookcases	93, 98, 101

Mission

Media Stands	39, 45, 46
Corner Media Consoles	87

Old Classic Steigh

Living Room Occasionals	30, 31
Media Stands / Cabinets.....	53, 67
Large Media Cabinet Sets	82
Corner Media Con./Hut	88, 89
Bookcases / Stereo Cabinets.....	99

SARATOGA

Living Room Occasionals	32
Media Stands	54
Home Office.....	110, 119

Sierra

Living Room Occasionals	33
Media Stands	54

Victorian

Media Stands/Cabinets.....	50, 68
Large Media Cabinet Sets	83

WEST Lake

Living Room Occasionals	34, 35
Media Stands	55

Artesa

The elegantly rugged look of the Artesa style adds character to any room and fits as easily into a chic, modern condo as in a rustic log home. With arches, corbels and strongly tapered legs, Artesa furniture inspires compliments from all who see it.



Artesa

The Artesa Collection blends rustic contemporary style with rich eclectic undertones created by beautifully tapered legs, corbel accents and arched skirting. This is the perfect choice for active families or elegant entertaining.



Boulder Creek

Gently curved legs, ebony inlays, and arched skirts distinguish the Boulder Creek Collection. This contemporary look adds a touch of warmth and classic style to any entertainment or living room. Hand made by skilled Amish craftsmen, Boulder Creek furniture is available in a choice of sustainably harvested hardwoods.



CENTENNIAL

Arts and Crafts mission characteristics are accented with old fashioned tenons and rich grains of any of four popular hardwoods. In all Centennial pieces, storage is a key feature. Imagine the artful presence of this collection in any room where family and friends gather.



Colbran

Colbran's tapered sides and exposed tenons provide it a unique blend of contemporary and traditional Mission styling. Its strength and durability make it a family-friendly choice that will be used and treasured for decades.



Ensenada

Ensenada's artistic profile adds an elegantly casual air to any room, inviting guests to enjoy the surroundings you've created and inspiring plenty of well-deserved compliments.



Kascade

The Kascade Collection is identified by an applied slat side design cohesive with its Mission styling. This grouping subtly reflects the taste of its quality-conscious owner while creating an atmosphere of warm welcoming.



Modesto

Blocky tapered legs give the Modesto style an authoritative stance, while exposed joinery and tenons honor its old world roots. Flush inset doors and drawers create a simple, clean, look that allows Modesto furniture to meld with and complement any surroundings.



Old Classic Sleigh

The Old Classic Sleigh style is characterized by rolling shapes and graceful curves on the front with flush-fit drawers and doors. It boldly states its presence in any room it occupies while surrounding its guests with warm acceptance.



FORKS VALLEY WOODWORKING



Better Because...

STANDARDS



$\frac{5}{8}$ " thick dovetailed, full extension, $\frac{3}{4}$ " deep functional drawers on occasional pieces



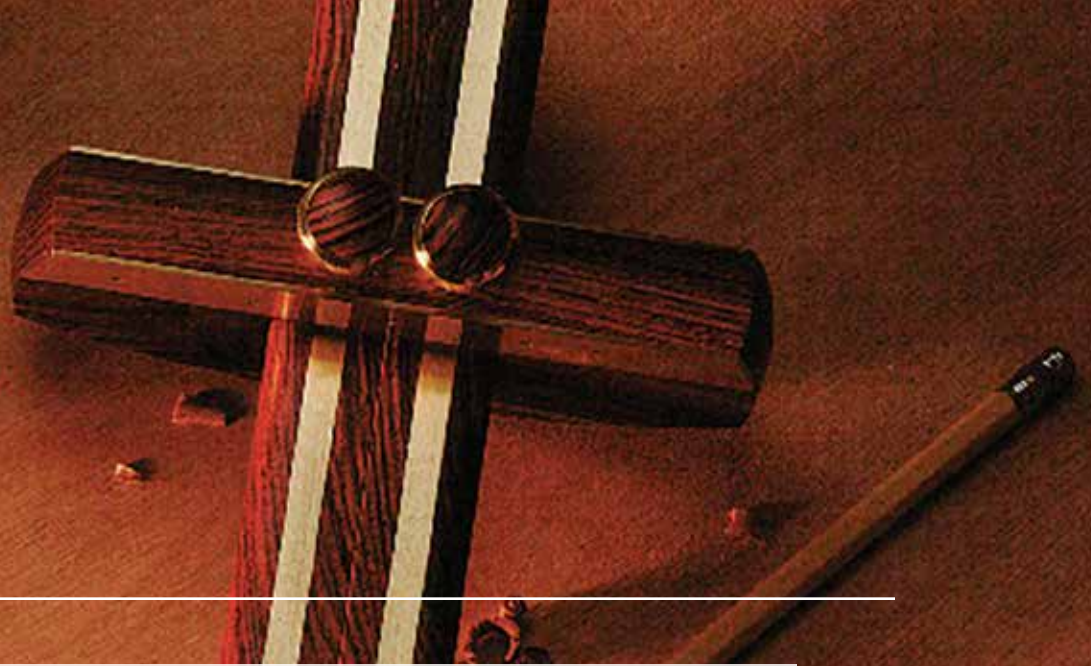
Soft close (consealed hinge) doors



Leg Levelers on all legs for easy installation.



$\frac{3}{4}$ " deep recessed storage area under tops of open Lifttop coffee tables with counter weight balance



Fully adjustable shelf in enclosed sofa tables



Solid Hardwood sides and tops on enclosed occasional pieces

Occasionals

From a tasteful accent table to an eye-catching storage solution or display table, Forks Valley has handcrafted the perfect occasional for every space and style...from rustic, to Arts & Crafts, to chic and modern. With so many wood and finish options, each table becomes a customized masterpiece.



Artesa

Occasional Standard Features

- 4-Sided solid tapered legs
- 1" Solid top
- Beveled, tempered glass top on Forks Valley Artesa glass-top Coffee table
FVCT-A-GT



Optional Features

None available at this time

A FVET-A
22" Wide
24" Deep
24" High

B FVCT-A
42" Wide
24" Deep
20" High

C FVCT-A-GT
42" Wide
24" Deep
20" High

D FVST-A
54" Wide
17³/₄" Deep
30¹/₄" High

B



Coffee table

C



Glass-top Coffee table

A



End table

D



Sofa table



A

Round Coffee table

A FVCT-38R-A
38" Round
20" High

B FVCT-A-DWR
42" Wide
24" Deep
20" High

C FVST-A-DWR
54" Wide
17¾" Deep
30¼" High

D FVET-A-DWR
22" Wide
24" Deep
24" High



B

Coffee table w/drawer



C

Sofa table



D

End table

Artesa

Occasional Standard Features

- Full extension drawers
- 4-Sided solid tapered legs
- 1" Solid top
- Hardware-Wrought Iron drawer pull **P-2**

(See Decorative Hardware section pg-130)



Optional Features

- Blum, soft close undermount drawers

Boulder Creek

Occasional Standard Features

- Full extension drawers
- 1" Solid top
- Open Lift-top coffee table – Recessed storage under top with counter weight
- Hardware – 1" Black Knob U (See *Decorative Hardware* section pg. 130)



Optional Features

- Blum, soft close undermount drawers
- End tables can be made 5" wider

A FVET-BC
19½" Wide
25" Deep
24" High

B FVCT-BC
44" Wide
25" Deep
20" High

C FVET-22R-BC
22" Round
24" High

D FVET-38R-BC
38" Round
20" High

E FVCT-BC-LT
44" Wide
25" Deep
20" High



Coffee table
w/drawer



Round End Table



Round Coffee Table



End table



Lift-top Coffee table
Top up = 29¼" High



Enclosed Coffee table

A

A FVCT-BC-EN
44" Wide
25" Deep
20" High



Enclosed Sofa table

B

B FVST-BC-EN
44" Wide
16 $\frac{1}{4}$ " Deep
29" High



Enclosed End table

D

C FVCT-BC-EN-LT
44" Wide
25" Deep
20" High

D FVET-BC-EN
19 $\frac{1}{2}$ " Wide
25" Deep
24" High

E FVST-BC
44" Wide
17 $\frac{1}{2}$ " Deep
29" High



Enclosed Lift-top Coffee table
Top up = 29 $\frac{1}{4}$ " High

C



Sofa table

E

Boulder Creek

Occasional Standard Features

- Soft close (concealed hinge) doors
- Full-extension drawers
- 1" Solid top
- Adjustable shelf in Sofa table
- 1" Black knob hardware **U**
(See *Decorative Hardware* section pg. 130)



Optional Features

- End tables can be made 5" wider

Carlisle

Occasional Standard Features

- Full-extension drawers
- 1" Solid tops
- Open lift-top coffee table – recessed storage under top with counterweight
- 1 1/4" Diameter round wood knob Hardware A-1 (See *Decorative Hardware section pg. 130*)



Optional Features

- Blum, soft close undermount drawers
- End tables can be made 5" wider

A FVET-CR
17 1/2" Wide
24" Deep
24" High

B FVCT-CR
42" Wide
24" Deep
20" High

C FVCT-CR-LT
42" Wide
24" Deep
20" High

D FVST-CR
42" Wide
17" Deep
29 1/2" High

B



Coffee table
with drawer

C



Lift-top Coffee table
Top up = 29 1/4" High

A



End table

D



Sofa table



A

Enclosed Coffee table

A FVCT-CR-EN
42" Wide
24" Deep
20" High



B

Enclosed Lift-top Coffee table
Top up = 29 1/4" High

B FVCT-CR-EN-LT
42" Wide
24" Deep
20" High



C

Enclosed Sofa table

C FVST-CR-EN
42" Wide
16" Deep
29 1/2" High

D FVET-CR-EN
17 1/2" Wide
24" Deep
24" High



D

Enclosed End table

Carlisle

Enclosed Occasional Standard Features

- Soft close (concealed hinge) doors
- Full-extension drawers
- 1" Solid top
- Adjustable shelf in sofa table
- 1 1/4" Diameter round wood knob Hardware A-1 (See *Decorative Hardware* section pg. 130)



Optional Features

- End tables can be made 5" wider

CENTENNIAL

Occasional Standard Features

- Full-extension drawers
- 1" Solid top
- Open lift-top coffee table – recessed storage under top with counterweight
- 1" Black square knob hardware R
(See *Decorative Hardware* section pg. 130)



Optional Features

- Blum, soft close undermount drawers
- End tables can be made 5" wider

A **FVET-CN**
17½" Wide
24" Deep
24" High

B **FVCT-CN**
42" Wide
24" Deep
20" High

C **FVCT-CN-LT**
42" Wide
24" Deep
20" High

D **FVST-CN**
42" Wide
17" Deep
29" High



Coffee table w/drawer



Lift-top
Coffee table
Top up =
29¼" High



End table



Sofa table



A

Enclosed Coffee table

FVCT-CN-EN
42" Wide
24" Deep
20" High

FVCT-CN-EN-LT
42" Wide
24" Deep
20" High

CENTENNIAL

Enclosed Occasional Standard Features

- Soft close (concealed hinge) doors
- Adjustable shelf in sofa table
- Full-extension drawers
- 1" Solid top
- 1" Black square Knob Hardware **R**
(See *Decorative Hardware* section pg. 130)



B

Enclosed Lift-top Coffee table
Top up = 29¹/₄" High

FVST-CN-EN
42" Wide
16" Deep
29" High

FVET-CN-EN
17¹/₂" Wide
24" Deep
24" High



C

Enclosed Sofa table



D

Enclosed End table



Optional Features

- End tables can be made 5" wider

Colbran

Occasional Standard Features

- Full-extension drawers
- 1" Solid top
- Open lift-top coffee table – recessed storage under top with counterweight
- 1" Black square Knob Hardware R
(See *Decorative Hardware* section pg. 130)



Optional Features

- Blum, soft close undermount drawers

A **FVET-CB**
21½" Wide
25" Deep
24" High

B **FVCT-CB**
46" Wide
25" Deep
20" High

C **FVCT-CB-LT**
46" Wide
25" Deep
20" High

D **FVST-CB**
46" Wide
17½" Deep
29" High

A



End table

B



Coffee table w/drawer

C



Lift-top
Coffee table
Top up =
29¼" High

D



Sofa table



A

Enclosed Coffee table

A FVCT-CB-EN
46" Wide
25" Deep
20" High



B

Enclosed Lift-top Coffee table
Top up = 29¹/₄" High

B FVCT-CB-EN-LT
46" Wide
25" Deep
20" High

C FVST-CB-EN
46" Wide
16" Deep
29" High

D FVET-CB-EN
21¹/₂" Wide
25" Deep
24" High



C

Sofa table



D

Enclosed End table

Colbran

Enclosed Occasional Standard Features

- Soft close (concealed hinge) doors
- Adjustable shelf in sofa table
- Full-extension drawers
- 1" Solid top
- 1" Black square Knob Hardware R
(See Decorative Hardware section pg. 130)



Optional Features

- End tables can be made 5" wider

Ensenada

Occasional Standard Features

- Full extension drawers
- 1" Solid top
- Open Lift-top coffee table – Recessed storage under top with counter weight
- Satin Nickel Drawer Pull T-2 (See *Decorative Hardware* section pg. 130)



Optional Features

- Blum, soft close undermount drawers
- End tables can be made 5" wider

A FVET-EN
20½" Wide
24" Deep
24" High

B FVCT-EN
45" Wide
24" Deep
20" High

C FVCT-EN-LT
45" Wide
24" Deep
20" High

D FVST-EN
45" Wide
17½" Deep
29" High

B



Coffee table w/drawer

C



Lift-top Coffee table
Top up = 29¼" High

A



End table

D



Sofa table



A

Round End table

FVET-22R-EN
A 22" Round
24" High

FVCT-38R-EN
B 38" Round
20" High

FVST-EN-EN
C 45" Wide
16 1/4" Deep
29" High

FVET-EN-EN
D 20 1/2" Wide
24" Deep
24" High

Ensenada

Occasional Standard Features

- Soft close (concealed hinge) doors
- Full-extension drawers
- 1" Solid top
- 1" Satin Nickel Knob and Satin Nickel Drawer Pull T-1, T-2
(See *Decorative Hardware* section pg. 130)



B

Round Coffee table



C

Enclosed Sofa table



D

Enclosed End table



Optional Features

- End tables can be made 5" wider

Kascade

Occasional Standard Features

- Full-extension drawers
- 1" Solid top
- Open lift-top coffee table – recessed storage under top with counterweight
- 1" Black square Knob Hardware R
(See *Decorative Hardware* section pg. 130)



Optional Features

- Blum, soft close undermount drawers
- End tables can be made 5" wider

A **FVET-KS**
17½" Wide
24" Deep
24" High

B **FVCT-KS**
42" Wide
24" Deep
20" High

C **FVCT-KS-LT**
42" Wide
24" Deep
20" High

D **FVST-KS**
42" Wide
17" Deep
30½" High



Coffee table w/drawer



Lift-top coffee table
Top up = 29¼" high



End table



Sofa table



A

Enclosed Coffee table

A FVCT-KS-EN
42" Wide
24" Deep
20" High

B FVCT-KS-EN-LT
42" Wide
24" Deep
20" High

C FVST-KS-EN
42" Wide
16" Deep
30 1/2" High

D FVET-KS-EN
17 1/2" Wide
24" Deep
24" High



B

Enclosed Lift-top Coffee table
Top up = 29 1/4" high



C

Enclosed Sofa table



D

Enclosed End table

Kascade

Enclosed Occasional Standard Features

- Soft close (concealed hinge) doors
- Adjustable shelf in sofa table
- Full-extension drawers
- 1" Solid top
- 1" Black square Knob Hardware R
(See *Decorative Hardware* section pg. 130)



Optional Features

- End tables can be made 5" wider

Modesto

Occasional Standard Features

- Full-extension drawers
- 1" Solid top
- Open lift-top coffee table – recessed storage under top with counterweight
- Black drawer pull
Hardware L-2
(See *Decorative Hardware* section pg. 130)



Optional Features

- Blum, soft close undermount drawers
- End tables can be made 5" wider

A FVET-MD
17½" Wide
24" Deep
24" High

B FVCT-MD
42" Wide
24" Deep
20" High

C FVCT-MD-LT
42" Wide
24" Deep
20" High

D FVST-MD
42" Wide
17" Deep
29" High



Coffee table w/drawer



Lift-top
Coffee table
Top up =
29¼" High



End table



Sofa table



Enclosed Coffee table

A

FVCT-MD-EN
 42" Wide
 24" Deep
 20" High

FVCT-MD-EN-LT
 42" Wide
 24" Deep
 20" High

FVST-MD-EN
 42" Wide
 16" Deep
 29" High

FVET-MD-EN
 17½" Wide
 24" Deep
 24" High



Enclosed Lift-top Coffee table
 Top up = 29¼" High

B

D



Enclosed End table

C



Enclosed Sofa table

Modesto

Enclosed Occasional Standard Features

- Soft close (concealed hinge) doors
- Adjustable shelf in sofa table
- Full-extension drawers
- 1" Solid top
- Black door and drawer pull Hardware L-1 / L-2
(See *Decorative Hardware* section pg. 130)



Optional Features

- End tables can be made 5" wider

Old Classic Sleigh

Occasional Standard Features

- Full-extension drawers
- 1" Solid top
- Open lift-top coffee table – recessed storage under top with counterweight
- 1¹/₈" Low profile round wood knob
Hardware C-1
(See *Decorative Hardware* section pg. 130)



Optional Features

- Solid adjustable shelf in Forks Valley Old Classic Sleigh Sofa table
FVST-OCS
- End tables can be made 5" wider

A FVET-OCS
17¹/₂" Wide
24" Deep
24" High

B FVCT-OCS
42" Wide
24" Deep
20" High

C FVCT-OCS-LT
42" Wide
24" Deep
20" High

D FVST-OCS
42" Wide
17" Deep
30¹/₂" High

B



Coffee table
w/drawer

C



Lift-top Coffee table
Top up = 29¹/₄" High

A



End table

D



Sofa table featuring optional shelf

A



Enclosed Coffee table w/drawer

A

FVCT-OCS-EN

42" Wide
24" Deep
20" High

B

FVST-OCS-EN

42" Wide
16" Deep
30½" High

C

FVET-OCS-EN

17½" Wide
24" Deep
24" High

Old Classic Sleigh

Enclosed Occasional Standard Features

- Soft close (concealed hinge) doors
- Adjustable shelf in sofa table
- Full-extension drawers
- 1" Solid top
- 11/8"-13/4" Low profile round wood knob
Hardware C-1, C-2
(See Decorative Hardware section pg. 130)

B



Enclosed Sofa table

C



Enclosed End table



Optional Features

- End tables can be made 5" wider

SARATOGA

Occasional Standard Features

- Full-extension drawers
- 1" Solid top
- Curved drawer fronts
- Solid, curved base
- Shown in two tone finish
- Satin Nickel Drawer Pull I-2
(See *Decorative Hardware* section pg. 130)
- Also available = 42" round coffee table with pedestal base **FVCT-42R-ST** (not pictured)



Optional Features

- Blum soft close undermount drawers

A **FVET-ST**
24" Wide
28" Deep
24" High

B **FVCT-ST**
52" Wide
28" Deep
20" High

C **FVST-ST**
52" Wide
22" Deep
31" High



Saratoga also available in single tone finish.

A



End table

B



Coffee table w/drawers

C



Sofa table

Sierra

Occasional Standard Features

- Full-extension drawers
- 1" Solid top
- 1 1/4" Satin Nickel finish round knob Hardware O-1
- Tempered glass on Forks Valley Sierra 38" round glass-top Coffee table
- FVCT-38RGT-SR



Coffee table

A

A FVCT-38R-SR
38" Round
20" High



Round-top End table

B

B FVET-22R-SR
22" Round
24" High

C



Glass-top Coffee table

C FVCT-38RGT-SR
38" Round
20" High

D FVST-SR
52" Wide
17" Deep
29" High

E FVET-SR
22" Wide
24" Deep
24" High

E



Square-top End table

D



Sofa table



Optional Features

- Blum, soft close undermount drawers
- Add shelf on coffee table

WEST *Lake*

Occasional Standard Features

- Full-extension drawers
- 1" Solid top
- Open lift-top coffee table – recessed storage under top with counterweight
- Weathered Nickel drawer pull Hardware F-2
(See *Decorative Hardware* section pg. 130)



Optional Features

- Blum, soft close undermount drawers

A FVET-WL
22" Wide
24" Deep
24" High

B FVCT-WL
42" Wide
24" Deep
20" High

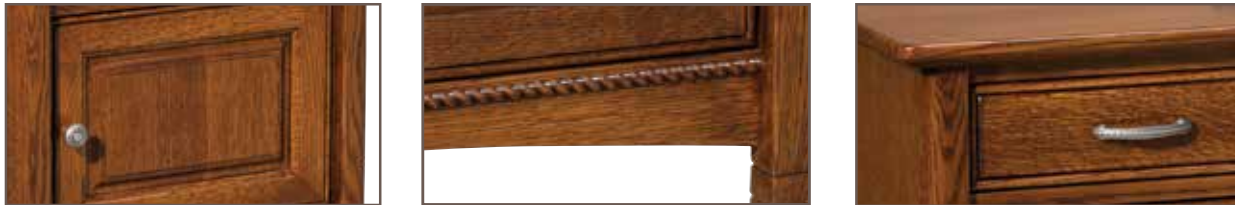
C FVCT-WL-LT
42" Wide
24" Deep
20" High

D FVST-WL
42" Wide
17" Deep
29" High



Enclosed Occasional

WEST *Lake*



Standard Features

- Soft close (concealed hinge) doors
- Full-extension drawers
- 1" Solid top
- Adjustable shelf in sofa table
- Weathered Nickel drawer pull and knob
Hardware F-1, F-2
(See *Decorative Hardware section pg. 130*)

A **FVET-WL-EN**
22" Wide x 24" Deep x 24" High

B **FVST-WL-EN**
42" Wide x 16" Deep x 29" High



Enclosed End table



Enclosed Sofa table



Optional Features

- Blum, soft close undermount drawers

FORKS VALLEY WOODWORKING



Better Because of our Standards and Options

STANDARDS



Leg Levelers on all legs for easy installation.



5/8" Thick dovetailed, full-extension functional drawers



Solid hardwood sides and tops

- All adjustable shelves are made of a top grade hardwood plywood with a solid nosing on front side
- Optional solid shelves available upon request



3/4" Raceway in back for easy wiring from shelf to shelf in all component areas.

All shelves are fully adjustable.



Thick bottoms underneath Media stands (with drawers on bottom) create a dust shield and add sturdiness.

DVD Drop Box for Media Cabinets
5" High x 38" Wide



DVD Boxes or adjustable DVD shelf

When adding pocket doors to open TV area with adjustable DVD shelf, DVD shelf changes to DVD drop box and visa versa. When omitting pocket doors, DVD box changes to adjustable DVD shelf.

Stands, Cabinets & Consoles

In widths from 36" to 73" and storage options including shelves, doors, drawers or combination configurations, there is a Forks Valley unit for all TV's, DVD players, game systems and accessories.

**FORKS VALLEY
WOODWORKING**



OPTIONS



Blum –
soft close
undermount slides



Solid, removable wood
video tape organizers for drawers



**Slim Component
Cooling Fan**
Cooling fan used
for electronic
components
comes with
automatic on/off
(88° F) temperature
controller.



Option: 4 Heavy-duty
Casters (600 lb. total
capacity)

Option: LED Lighting
with Dimmable Touch
Switch (Warm White)

Artesa Media Stands

Standard Features

- Smoked glass
- Solid four sides tapered legs
- Smooth sliding track for all doors with simple mechanism for easy removal
- **048** 2 adjustable shelves
- **3663-BP, 060-BP, 072-BP** 2 adjustable shelves behind glass doors, 1 each side
- Hardware - 1" Wrought Iron Knobs **P-1**



Optional- Features

- Self-positioning, soft-closing sliding doors



A



B



C

D



A **FVE-3663-A-BP**
63" Wide
19³/₄" Deep
36" High

C **FVE-048-A**
48" Wide
19³/₄" Deep
30¹/₄" High

B **FVE-060-A-BP**
63" Wide
19³/₄" Deep
30¹/₄" High

D **FVE-072-A-BP**
72" Wide
19³/₄" Deep
30¹/₄" High

See page 152 for dimensional layouts.



A

Bridger Mission & Mission Media Stands

Standard Features

- Soft close (concealed hinge) doors
- Smoked glass
- 1 Adjustable shelf behind each door
- 1 1/4" Square Pyramid wood knob Hardware B-1



B



Optional Features

- Add adjustable shelves
- Add DVD pullout trays behind wood door



C

A FVE-048-M
48" Wide
19 3/4" Deep
30 1/2" High

B FVE-048-BM
48" Wide
19 3/4" Deep
30 1/2" High

C FVE-060-BM-BP
60" Wide
19 3/4" Deep
30 1/2" High

See page 133 for dimensional layouts.

Boulder Creek Media Stands

Standard Features

- Curved, reversed panel sides
- Smoked glass
- **032** = Soft close (concealed hinge) doors
- **032** = 1 Adjustable shelf behind each door
- **3663** = 2 Adjustable shelves behind glass door 1 Adjustable shelf behind wood doors
- **060** = 2 Adjustable shelves behind each door
- **3663, 060** = Smooth sliding track for all doors with simple mechanism for easy removal
- 1" Black knob Hardware **U**



Sliding Door

Optional Features

- Self-positioning, soft-closing sliding doors
- Blum, soft close undermount drawers

A

FVE-032-BC-BP
63" Wide
19³/₄" Deep
29" High

C

FVE-060-BC-BP 36"
63" Wide
19³/₄" Deep
36" High

B

FVE-3663-BC-BP
63" Wide
19³/₄" Deep
36" High

A



B



C



See page 133 for dimensional layouts.



A

Boulder Creek Media Stands

Standard Features

- Curved, reversed panel sides
- Smoked glass
- 2 Adjustable shelves behind glass doors, 1 each side
- Smooth sliding track for all doors with simple mechanism for easy removal
- 1" Black knob Hardware **U**



B



Sliding Door



Optional Features

- Self-positioning, soft-closing sliding doors



C

A **FVE-048-BC**
48" Wide
19³/₄" Deep
29" High

C **FVE-072-BC-BP**
72" Wide
19³/₄" Deep
29" High

B **FVE-060-BC-BP**
63" Wide
19³/₄" Deep
29" High

See page 133 for dimensional layouts.

Carlisle Media Stands

Standard Features

- Smoked glass
- 1" Solid top
- Soft close (concealed hinge) doors
- 1¼, 1½ Round wood knob hardware **A-1, A-2**
- **A** = 2 adjustable shelves behind glass doors, 1 each side
- **B** = 2 Adjustable shelves behind each door with cord hole in back



Optional Features

- Blum, soft close undermount drawers

A

FVE-040-CR-BP

60" Wide
19¾" Deep
29½" High

B

FVE-072-CR

72" Wide
19¾" Deep
32½" High

See page 131 for dimensional layouts.



A

B





Centennial Media Stand - 36" High

A

CENTENNIAL Media Stands

Standard Features

- Soft close (concealed hinge) doors
- 1 Adjustable shelf behind doors
- 1" Solid top
- Smoked glass
- 36" high console – 2 adjustable shelves behind glass doors
- Hardware – 1" Black square knob R

B



C



Optional Features

- Blum, soft close undermount drawers



D

A

FVE032-CN-BP 36"
60" Wide
19¾" Deep
36" High

C

FVE-031-CN
48" Wide
19¾" Deep
29" High

B

FVE-032-CN-BP
60" Wide
19¾" Deep
29" High

D

FVE-072-CN-BP
72" Wide
19¾" Deep
29" High

See page 134 for dimensional layouts.

Colbran Media Stands

Standard Features

- Soft close (concealed hinge) doors
- 1 Adjustable shelf behind doors
- Smoked glass
- 1" Solid top
- Solid tapered sides
- 1" Black square knob

Hardware R



Optional Features

- Blum, soft close undermount drawers



Arts & Craft Mullion Design detail (MLAC) must specify (no upcharge)

B



A

FVE-032-CB-BP

61¼" Wide
20¼" Deep
29" High

B

FVE-031-CB

49¼" Wide
20¼" Deep
29" High

C

FVE-072-CB-BP

73¼" Wide
20¼" Deep
29" High

A



Shown with optional Arts & Craft Mullion Design (MLAC) Must specify (No up-charge)

C



See page 134 for dimensional layouts.

Classic Media Stand
Hardware – 1¼" Diameter round
wood knob – A1



Shown with optional Swivel
(must specify when ordering)

A

Carlisle Media Stand
Hardware – 1¼" Diameter round
wood knob – A1



B

Classic, Carlisle, Mission & Hoosier Heritage Media Stands

Standard Features

- Soft close (concealed hinge) doors
- Adjustable shelf behind door

Optional Features

- Swivel
- Change wood doors to smoked glass (Up-charge)



C

Mission Media Stand
Hardware – 1¼" Square pyramid
wood knob – B1

D



Hoosier Heritage Media Stand
Hardware – 1¼" Diameter round
wood knob – A1

A FVE-024-C
36" W x 17¾" D x 29¼" H

B FVE-024-CR
36" W x 17¾" D x 29¼" H

C FVE-024-M
36" W x 17¾" D x 29¾" H

D FVE-024-HH
36" W x 17¾" D x 30¾" H

Also available in XL Size 43" W
FVE-024-CXL
FVE-024-MXL
FVE-024-CR-XL
FVE-024-HH-XL

See page 151 for dimensional layouts.

Ensenada, Mission & SHAKER Media Consoles

Standard Features

- Soft close (concealed hinge) doors
- 2 Adjustable shelves behind doors
- Ensenada Hardware 1" Satin Nickel Knob and Satin Nickel Drawer Pull **T-1, T-2**
- Shaker Hardware 1 1/4" Diameter round wood knob **A-1**
- Mission Hardware 1 1/4" Square pyramid wood knob **B-1**



Optional Features

- Change wood doors to smoked glass
- Blum, soft close undermount drawers

A

FVE-072-EN
72" Wide
20" Deep
31" High

B

FVE-08-M
48" Wide
17 3/4" Deep
40" High

C

FVE-08-S
48" Wide
18" Deep
39 3/4" High

*See page 131 for
dimensional layouts.*

A



Ensenada Media Console

B



Mission Media Console

C



Shaker Media Console

A



Hoosier Heritage Media Stands

Standard Features

- Soft close (concealed hinge) doors
- Smoked glass
- 2 Adjustable shelves behind glass doors
- 2 Adjustable shelves on each end for media storage **FVE-045-HH**
- 1 1/4" Diameter round wood knob Hardware **A-1**



Optional Features

- Leaded glass options (page 128)
- 1 adjustable shelf on each end of media storage **FVE-046-HH (No up-charge)**

63 1/2" Media Stand comes with 2 Media trays on each side.



Standard feature

A **FVE-046-HH**
63 1/2" Wide
20" Deep
28 1/4" High

B **FVE-045-HH**
54 1/4" Wide
20 1/2" Deep
31 1/4" High



B

Shown with optional leaded glass (code **LGH**) Standard is smoked glass.

See page 132 for dimensional layouts.

Kascade

Media Stands

Standard Features

- Smoked glass
- 2 Adjustable shelves behind glass doors
- 1 adjustable shelf each side
- Smooth sliding track for all doors with simple mechanism for easy removal
- 1" Black square knob Hardware R



Optional Features

- Self-positioning, soft-closing sliding doors

A



B



C



D



D

A FVE-3663-KS-BP
63" Wide
19³/₄" Deep
36" High

B FVE-060-KS-BP
63" Wide
19³/₄" Deep
29" High

C FVE-048-KS
48" Wide
19³/₄" Deep
29" High



Sliding Door

D FVE-072-KS-BP
72" Wide
19³/₄" Deep
29" High

See page 135 for dimensional layouts.



A

Kascade Media Stands

Standard Features

- **037** = Soft close (concealed hinge) doors
- Smoked glass
- **034 and 037** = 2 Adjustable shelves behind glass doors except **037** which has 1 adjustable shelf behind center door
- 1" Solid top
- Smooth sliding track for doors with simple mechanism for easy removal on **034 and 060**
- Pullout drawers for storage on both sides on **034**
- 1" Black square knob Hardware R



B



Standard feature

Optional Features

- Self-positioning, soft-closing sliding doors



C

A **FVE-060-KS-BP 36"**
63" Wide
19³/₄" Deep
36" High

C **FVE-037-KS**
57¹/₂" Wide
17¹/₄" Deep
35" High

B **FVE-034-KS-BP**
66" Wide
19³/₄" Deep
29" High

See page 135 for dimensional layouts.

MANHATTAN MISSION & *Victorian* Media Stands

Standard Features

- Soft close (concealed hinge) doors
- Smoked glass
- 2 Adjustable shelves behind each door
- Victoria Hardware – 1¹/₄" - 1¹/₂" Diameter round wood knob Hardware **A-1, A-2**
- Manhattan Mission Hardware – 1" Black square knob Hardware **R**



Optional Features

- Blum, soft close undermount drawers

A **FVE-047-MM-BP**
67¹/₄" Wide
19³/₄" Deep
28¹/₄" High

B **FVE-047-VS-BP**
67¹/₄" Wide
19³/₄" Deep
28¹/₄" High

See page 132 for dimensional layouts.

A



Manhattan Mission Media Stand

B



Victorian Media Stand

A



Shown with optional leaded glass
(code LGM) Standard is smoked glass.

Mission Media Stands

Standard Features

- Soft close (concealed hinge) doors
- Smoked glass
- 2 Adjustable shelves behind glass doors
- 2 Adjustable shelves on each end for media storage
- 1 1/4" Square wood knob B-1



Standard feature



Optional Features

- Leaded glass options (page 128)
- 1 adjustable shelf on each end of media storage
FVE-046-M (No up-charge)



63" Media Stand comes
with 2 Media trays on
each side.

A FVE-045-M
54" Wide
20 1/4" Deep
31 1/2" High

B FVE-046-M
63" Wide
19 3/4" Deep
28 1/2" High



Shown with optional leaded glass
(code LGM) Standard is smoked glass.

B

See page 132 for dimensional layouts.

Modesto Media Stands

Standard Features

- Soft close (concealed hinge) doors
- 1" Solid top
- Smoked glass
- 1 Adjustable shelf behind doors
- 36" High console adds 1 shelf behind glass doors
- Black Door pull L-1 & Black Drawer pull L-2



Optional Features

- Blum, soft close undermount drawers



Mullion option, No up-charge –
Must specify MLAC

A **FVE-032-MD-BP36"**
60" Wide
19³/₄" Deep
36" High

B **FVE-031-MD**
48" Wide
19³/₄" Deep
29" High

C **FVE-032-MD-BP**
60" Wide
19³/₄" Deep
29" High

D **FVE-072-MD-BP**
72" Wide
19³/₄" Deep
29" High

A



Shown with
optional
Centennial
style doors –
Must specify
(No up-charge)

Modesto Media Stand 36" High

C



D



See page 134 for dimensional layouts.



A

Old Classic Sleigh Media Stands

Standard Features

- Soft close (concealed hinge) doors
- 1 Adjustable shelf behind doors
- 1" Solid top
- Smoked glass
- 1 1/8" - 1 3/4" Low profile round wood knob
Hardware C-1, C-2



B



Corner Detail



Optional Features

- Blum, soft close undermount drawers



C

A **FVE-031-OCS**
48" Wide
20 1/4" Deep
30 1/2" High

B **FVE-043-OCS-BP**
60" Wide
20 1/4" Deep
30 1/2" High

C **FVE-072-OCS-BP**
72" Wide
20 1/4" Deep
30 1/2" High

See page 134 for dimensional layouts.

SARATOGA & *Sierra* Media Stands

Standard Features

- Smoked glass
- A= Soft close (concealed hinge) doors
- A= 2 adjustable shelves behind wood doors
- A= Solid curved base, curved drawer fronts
- B= 2 adjustable shelves behind glass door, 1 each side
- B= Smooth sliding track for all doors with simple mechanism for easy removal
- Saratoga Hardware – 1 1/4" Satin Nickel knob and Satin Nickel Drawer Pull I-1, I-2
- Sierra Hardware – 1 1/4" Satin Nickel finish round knob O-1



Sliding Door

Optional Features

- Self-positioning, soft-closing sliding doors
- Blum, soft close undermount drawers

A **FVE-3472-ST**
72" Wide
21 3/4" Deep
34" High

B **FVE-060-SR-BP**
63" Wide
20" Deep
29" High

See pages 135 for dimensional layouts.

A



Saratoga Media Stand



B

Sierra Media Stand

A



WEST *Lake* Media Stands

Standard Features

- Soft close (concealed hinge) doors
- 1" Solid top
- Smoked glass
- 1 Adjustable shelf behind doors
- Mitered corners on doors & drawer fronts
- Hardware 1¹/₄ round Weathered Nickel Knob, Weathered Nickel drawer pull– F-1 & F-2



Optional Features

- Blum, soft close undermount drawers



B

A **FVE-031-WL**
48" Wide
20" Deep
30½" High

B **FVE-032-WL-BP**
60" Wide
20" Deep
30½" High

See page 134 for dimensional layouts.

MEDIA

Value-Dressed Consoles

The Forks Valley value-dressed line is moderately priced, yet features the same high-quality construction, hand craftsmanship and attention to style details found in all our solid wood media and entertainment furniture.

Standard Features

- Solid top
- Plywood sides
- 1¼" Diameter Round wood knob A-1
- Available in oak, cherry, hickory, quarter sawn white oak and brown maple



Options

- Change wood doors to glass

A

FVE-2560-DH

60" wide
25" high
17½" deep

B

FVE 2550-DH

50" wide
25" high
17½" deep

A

DURHAM MEDIA STANDS

DVD opening =
5" high



B



TV Entertainment Cabinets & Centers



A

50" wide TV area

Artesa

TWO-PIECE MEDIA CABINET

Standard Features

- Two-piece unit
- Smoked glass
- One adjustable shelf behind wood doors
- Two adjustable shelves behind glass door
- Solid, four sides tapered legs
- Smooth sliding track for all doors with simple mechanism for easy removal
- 1" Wrought Iron knob Hardware **P-1**



Options

- Self-positioning, soft-closing sliding doors
- LED touch light above shelf in hutch

A **FVE-060-A**
63" Wide
19³/₄" Deep
82¹/₂" High

See page 136 for dimensional layout.

Boulder Creek

TWO-PIECE MEDIA CABINETS



45" Wide TV area

A

FVE-2060-BC
63" Wide
20 3/4" Deep
80" High

A



Sliding Doors



Shown with Doors open
45" Wide TV Area

B

FVE-060-BC
63" Wide
19 3/4" Deep
80" High

B



50" Wide TV area

Standard Features

- 2 Piece unit
- Curved, solid reversed panel sides
- Smoked glass
- 1 Adjustable shelf behind wood doors, 2 Adjustable shelves behind glass door
- Smooth sliding track for all doors with simple mechanism for easy removal
- **2060-BC-Bifold Pocket Doors**
- 1" Black knob Hardware **U**

Options

- **LED Touchlight** above shelf in Hutch
- Self-positioning, soft-closing sliding doors

See page 136 for dimensional layouts.

Carlisle TWO-PIECE MEDIA CABINET



A

52 1/4" Wide TV area

Standard Features

- Soft close (concealed hinge) doors
- Adjustable shelf above TV
- Two-Piece unit
- Smoked glass
- One adjustable shelf behind wood doors
- Two adjustable shelves behind glass door
- Hardware **A-1**

Options

- LED Touchlight (warm white) above shelf in hutch

A **FVE-040-CR**
62 1/2" Wide
19 3/4" Deep
80 3/4" High

See page 136 for dimensional layouts.

Standard Features

- Soft close (concealed hinge) doors
- 2 Piece unit
- Smoked glass
- 1 Adjustable shelf behind each door
- Hardware – 1" Black square knob **R**

Options

- LED Touchlight above shelf in hutch
- Blum, soft close undermount drawers

B **FVE-032-CB**
61 1/4" Wide
20 1/4" Deep
80" High



B

49" wide TV area

Colbran TWO-PIECE MEDIA CABINET

CENTENNIAL

MEDIA ENTERTAINMENT CENTER



A

Standard Features

- Soft close (concealed hinge) doors
- Bifold pocket doors
- 1 adjustable shelf behind glass doors
- Smoked glass
- 1" Black square knob Hardware **R**



Options

- DVD Drop box
- Omit Bifold pocket doors
Note: This adds 7" to TV width



Shown with doors open
45" Wide TV area

A

FVE-05-CN
57¼" Wide
19¾" Deep
59" High

See page 137 for dimensional layout.

CENTENNIAL

MEDIA ENTERTAINMENT CENTER

A



52" Wide TV area

A

FVE-06-CN
79" Wide
19¾" Deep
59" High

See page 137 for dimensional layout.

Standard Features

- Soft close (concealed hinge) doors
- 5 Adjustable shelves in stereo area
- Hardware –
1" Black square knob **R**



Options

- **LED** Add bifold pocket doors
(Note: this deducts 7" from TV width)
- Add adjustable shelf above TV
- Blum, soft close undermount drawers



Shown with optional bifold
pocket doors 45" Wide TV Area

FORKS

CONTEMPORARY MISSION

MEDIA CABINET



A

A **FVE-038-FCM**
65 1/2" Wide
19 3/4" Deep
68 3/4" High

See page 137 for dimensional layout.

Standard Features

- Bifold pocket doors
- 2-Piece unit
- Smoked glass
- DVD drop box
- Top – 2 solid 1" tops with bevel
- Solid wood base under TV
- 1 1/4" Black Nickel knob Hardware **E**



Options

- Omit Bifold pocket doors.
Note: This adds 7" to TV width
- Change DVD drop box to DVD compartment under TV (No up charge)



49" Wide TV area

FORKS

CONTEMPORARY MISSION

TWO-PIECE MEDIA CABINET



A

A **FVE-039-FCM**
 85 3/4" Wide
 19 3/4" Deep
 68 3/4" High

See page 137 for dimensional layout.

Standard Features

- Soft close (concealed hinge) doors
- Bifold pocket doors
- 2 Piece unit
- Smoked glass in upper part of bifold pocket doors
- Clear beveled glass in stereo door with 3 adjustable shelves
- 1 1/4" Black Nickel knob Hardware **E**



Options

- Omit Bifold pocket doors.
 Note: This adds 7" to TV width
- Change DVD drop box to DVD compartment under TV (No up-charge)



49" Wide TV area

Kascade

TWO-PIECE MEDIA CABINET

A



52 $\frac{1}{4}$ " wide TV area

Standard Features

- 2 Piece unit
- Adjustable shelf above TV
- 1 Adjustable shelf each side
- 2 Adjustable shelves in center
- Smoked glass
- Smooth sliding track for all doors with simple mechanism for easy removal
- 1" Black square knob Hardware R



Options

- LED Touchlight above shelf in hutch
- Self-positioning, soft-closing sliding doors



Hutch detail

TWO-PIECE MEDIA CABINETS CAN BE PURCHASED SEPARATELY

FVE-060-KS
63 $\frac{3}{4}$ " Wide
19 $\frac{3}{4}$ " Deep
80 $\frac{1}{4}$ " High

See page 138 for dimensional layout.

Kascade

TWO-PIECE MEDIA CABINET



A



Sliding Doors

Standard Features

- 2 Piece unit
- 2060-KS - Bifold pocket doors, DVD drop box
- 1 Adjustable shelf each side
- 2 Adjustable shelves in center
- Smoked glass
- Smooth sliding track for all doors with simple mechanism for easy removal
- 1" Black square knob Hardware **R**



Optional Features

- Self-positioning, soft-closing sliding doors



50" Wide TV area and standar
DVD drop box

A

FVE-2060-KS
66¼" Wide
21½" Deep
73¾" High

See page 158 for dimensional layout.

MANHATTAN MISSION

TWO-PIECE HOME THEATER CENTER



A

53" wide TV area

Standard Features

- Soft close (concealed hinge) doors
- Adjustable shelf above TV
- 2 Piece unit
- Smoked glass
- 2 Adjustable shelves behind each glass door
- Fluted doors on top with 4 adjustable shelves for storage on each side
- 1" Black square knob Hardware **R**



Standard feature



Options

- LED Touchlight above shelf in hutch
- Blum, soft close undermount drawers

A

FVE-047-MM

72" Wide

19 $\frac{3}{4}$ " Deep

79 $\frac{3}{4}$ " High

See page 138 for dimensional layout.

Modesto

TWO-PIECE MEDIA CABINET



A

52 $\frac{1}{4}$ " Wide TV area

Standard Features

- Soft close (concealed hinge) doors
- 2 Piece unit
- Adjustable shelf above TV
- 1 Adjustable shelf behind each door
- Smoked glass
- Black door and drawer pull Hardware Hdw **L-1, L-2**

See page 138 for dimensional layouts.

Options

- LED Touchlight above shelf in hutch
- Blum, soft close undermount drawers

A

FVE-032-MD
60" Wide
19 $\frac{3}{4}$ " Deep
80 $\frac{1}{2}$ " High

Standard Features

- Soft close (concealed hinge) doors
- Adjustable shelf above TV
- 2 piece unit
- Smoked glass
- Adjustable shelf behind each door
- Hardware **C-1, C-2**

Options

- LED Touchlight above shelf in hutch
- Blum, soft close undermount drawers

B

FVE-043-OCS
60" Wide
20 $\frac{1}{4}$ " Deep
82" High



B

52 $\frac{1}{4}$ " Wide TV area

Old Classic Sleigh
TWO-PIECE MEDIA CABINET

Victorian

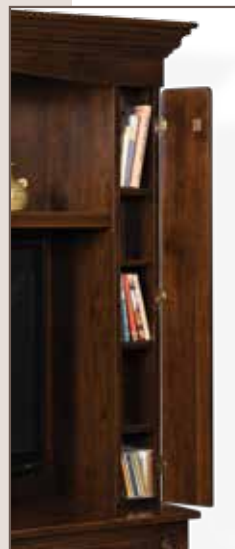
TWO-PIECE HOME THEATER CENTER



A

Standard Features

- Soft close (concealed hinge) doors
- Adjustable shelf above TV
- 2 Piece unit
- Smoked glass
- 2 Adjustable shelves behind each glass door
- Fluted doors on top with 4 adjustable shelves for storage on each side
- 1¼" -1½" Diameter round wood knob Hardware **A-1, A-2**



Standard feature



Options

- LED Touchlight above shelf in hutch
- Blum, soft close undermount drawers

A

FVE-047-VS

69¾" Wide

19¾" Deep

79¾" High

53" wide TV area

See page 138 for dimensional layout.

MEDIA *Large Cabinet Sets*



What sophisticated work of art should grace the wall of a large living room, a spacious family room or any other room needing an exceptional focal point? A Forks Valley wall unit is the perfect answer. Bonuses include lots of storage, room for displaying treasures, and the warm beauty of solid wood.

FORKS VALLEY WOODWORKING



*Better Because of our
Standards and Options*



STANDARDS



Dimmable LED Touchlighting on all lights (warm white)



Leg Levelers on all legs for easy installation.



Soft Close (concealed hinge) doors

OPTIONS



Add 5" high DVD compartment to wall unit consoles on **FVE-049, 051**
Note: This adds 6 $\frac{3}{4}$ " height to console, must specify when ordering



Blum – soft close undermount slides



Sliding back panel on console for easy wiring access. **12" High x 24" Wide.** Must Specify



Extra adjustable shelf below bridge on **FVE-049, 051, 058** Must specify when ordering



4 Heavy-duty Casters (600 lb. total capacity) on wall unit consoles **FVE-049,051,058**

Artesa 3-PIECE WALL UNIT



A

FVE-193-A

Center unit is available in 4 different increments:
45½" Wide | 50½" Wide
55½" Wide | 60½" Wide
Please specify when ordering

B

FVE-191-A

Note: When ordering center piece only – use FVE -191-A

B



A

Standard Features

- Soft close (concealed hinge) doors
- LED Touch lighting with 6 adjustable glass shelves
- Leg levelers
- Cord hole in each side cabinet
- Adjustable shelf with touch lighting above TV area
- 1 Adjustable shelf behind each bottom door
- Smoked glass in center piece door
- When going wider, side doors get wider, glass doors stay the same
- Hardware = P-1



Options

For all options, see page 70

- Center unit only
- Make center unit into 2 piece
- Bifold pocket doors on TV area only (36½" TV height, open above TV area)
Note: This takes 7" away from TV width

See page 139 for dimensional layout.

Boulder Creek

6-PIECE WALL UNIT WITH ADJUSTABLE BRIDGE



A

Standard Features

- Soft close (concealed hinge) doors
- LED Touch lighting in bridge and side cabinet with 6 adjustable glass shelves
- Console included
- Cord hole in each side cabinet
- Full hanging back behind TV area
- Adjustable shelf below bridge
- Curved, solid reversed panel sides
- Console bolted to side cabinet
- Leg levelers
- 1" Black knob Hardware **U**

Options

See page 70 for all options



Console Standard Features

- Soft close (concealed hinge) doors
- 1 Adjustable shelf behind each door
- Smoked glass
- Leg levelers
- When going wider, side doors get wider, glass doors stay the same

Console Options

- Heavy duty casters

See page 140 for dimensional layout.

A

FVE-049-BC with console

Unit can be ordered in
5 different increments:
45½" wide | 50½" wide | 55½" wide
60½" wide | 68½" wide
Please specify width when ordering

CENTENNIAL OPEN 3-PIECE WALL UNIT



A

Standard Features

- Soft close (concealed hinge) doors
- All pieces finished on all 3 sides for free standing option
- LED Touch lighting in side cabinets with 4 adjustable glass shelves (Tempered)
- 1 adjustable shelf behind each door
- Smoked glass in console unit
- Leg levelers on all pieces
- 1" Black square knob Hardware **R**



B



A FVE-5776-CN
Console included –
57¼" Wide TV Area

B FVE-5776-CN-SC
Free standing
side cabinet only

C FVE-4576-CN
45¼" wide console
with side cabinets
(3-Pc. unit)



C

FVE-4576 is featured at 45 ½" wide and can be used for smaller TVs

See page 159 for dimensional layouts.

Colbran 3-PIECE WALL UNIT



A

Standard Features

- Soft close (concealed hinge) doors
- LED Touch lighting with 6 adjustable glass shelves
- Leg levelers
- Cord hole in each side cabinet
- Adjustable shelf with touch lighting above TV area
- 1 adjustable shelf behind each bottom door
- Smoked glass in center piece door
- When going wider, side doors get wider, glass doors stay the same
- Hdw = R



Options

For options, see page 70

- Center unit only
- Make center unit into 2 piece
- Bifold pocket doors on TV area only (36½" TV height, open above TV area) Note: This takes 7" away from TV width

See page 141 for dimensional layout.

A

FVE-193-CB
Center unit is available in 4 different increments:
45½" Wide | 50½" Wide
55½" Wide | 60½" Wide
Please specify when ordering

B

FVE-191-CB
Note: When ordering center piece only – use FVE -191-CB

B



MANHATTAN MISSION 3-PIECE WALL UNIT



A

Standard Features

- Soft close (concealed hinge) doors
- LED Touch lighting with 6 adjustable glass shelves
- Leg levelers
- Cord hole in each side cabinet
- Adjustable shelf with touch lighting above TV area
- 2 Hidden full-extension drawers behind bottom door on both side cabinets
- 1" Black square knob Hardware **R**



Options

For all options, see page 70

- Make center unit into 2 piece
- Bifold pocket doors on TV area only (36½" TV height, open above TV area)
Note: This takes 7" away from TV width



B



Hidden drawers on each side cabinet Standard Feature

See page 141 for dimensional layout.

A

FVE-193-MM

Center unit is available in 4 different increments:
45½" Wide | 50½" Wide
55½" Wide | 60½" Wide
Please specify when ordering

B

FVE-191-MM

Note: When ordering center piece only – use FVE -191-MM

Hoosier Heritage

6-PIECE WALL UNIT WITH ADJUSTABLE BRIDGE



A

FVE-049-HH with console

Unit can be ordered in
5 different increments:
45½" wide | 50½" wide | 55½" wide
60½" wide | 68½" wide
Please specify width when ordering

Standard Features

- Soft close (concealed hinge) doors
- LED Touch lighting in bridge and side cabinet with 6 adjustable glass shelves
- Console included
- Cord hole in each side cabinet
- Includes full hanging back behind TV area
- Adjustable shelf below bridge
- Console bolted to side cabinet
- Leg levelers
- 1¼" Oil rubbed bronze knob and Oil rubbed bronze drawer pull Hardware S-1, S-2

Options

See page 70 for all options



Console Standard Features

- Soft close (concealed hinge) doors
- 1 Adjustable shelf behind each door
- Smoked glass
- Leg levelers
- When going wider, side doors get wider, glass doors stay the same

Console Options

- Heavy duty casters

See page 142 for dimensional layout.

Hoosier Heritage

8-PIECE WALL UNIT WITH ADJUSTABLE BRIDGE AND OPTIONAL SIDE CORNER CABINETS

Shown with optional
corner side cabinets



A

Standard Features

- Soft close (concealed hinge) doors
- LED Touch Lighting in bridge and side cabinets
- 6 Adjustable glass shelves
- Adjustable shelf below bridge
- Console included
- Cord hole in each side cabinet
- Full hanging back behind the TV area
- Console bolted to side cabinet
- Leg levelers
- 1¼" Oil rubbed bronze knob and Oil rubbed bronze drawer pull
Hardware S-1, S-2



Options

See page 70 for all options

A

FVE 049-HH with console

Unit can be ordered in
5 different increments:
45½" wide | 50½" wide | 55½" wide
60½" wide | 68½" wide
Please specify width when ordering

See page 142 for dimensional layout.

MANHATTAN MISSION

6-PIECE WALL UNIT WITH ADJUSTABLE BRIDGE



A

FVE-049-MM
with console

Unit can be ordered in
5 different increments:
45½" wide | 50½" wide | 55½" wide
60½" wide | 68½" wide
Please specify **width** when ordering

A

Standard Features

- Soft close (concealed hinge) doors
- LED Touch Lighting in bridge and side cabinets
- 6 Adjustable glass shelves
- Adjustable shelf below bridge
- Console included
- Cord hole in each side cabinet
- Includes full hanging back behind TV area
- Console bolted to side cabinets
- Leg levelers
- 1" Black square knob Hardware R

Options

See page 70 for all options



Console Standard Features

- Soft close (concealed hinge) doors
- 1 Adjustable shelf behind each door
- Smoked glass
- Leg levelers
- When going wider, side doors get wider, glass doors stay the same

Console options

- Heavy duty casters

See page 142 for dimensional layout.

MANHATTAN MISSION

8-PIECE WALL UNIT WITH ADJUSTABLE BRIDGE AND OPTIONAL SIDE CORNER CABINETS

Shown with optional corner side cabinets



A

Standard Features

- Soft close (concealed hinge) doors
- LED Touch Lighting in bridge and side cabinets
- 6 Adjustable glass shelves
- Adjustable shelf below bridge
- Console included
- Cord hole in each side cabinet
- Includes full hanging back behind TV area
- Console bolted to side cabinets
- Leg levelers
- 1" Black square knob Hardware R



Options

See page 70 for all options

See page 142 for dimensional layout.

A

FVE-049-MM with console

Unit can be ordered in 5 different increments:
45 1/2" wide | 50 1/2" wide | 55 1/2" wide
60 1/2" wide | 68 1/2" wide
Please specify **width** when ordering

Modesto 6-PIECE WALL UNIT WITH ADJUSTABLE BRIDGE



A FVE-049-MD with console

Unit can be ordered in
5 different increments:
45 1/2" wide | 50 1/2" wide | 55 1/2" wide
60 1/2" wide | 68 1/2" wide
Please specify width when ordering

Standard Features

- Soft close (concealed hinge) doors
 - LED Touch lighting in bridge and side cabinet with 6 adjustable glass shelves
 - Console included
 - Cord hole in each side cabinet
 - Full hanging back behind TV area
 - Adjustable shelf below bridge
 - Console bolted to side cabinet
 - Leg levelers
- Hdw = L-1, L-2

Options

See page 70 for all options



Console Standard Features

- Soft close (concealed hinge) doors
- 1 Adjustable shelf behind each door
- Smoked glass
- Leg levelers
- When going wider, side doors get wider, glass doors stay the same

Console Options

- Heavy duty casters

See page 143 for dimensional layout.

Modesto

6-PIECE WALL UNIT WITH ADJUSTABLE BRIDGE AND ANGLED SIDE CABINETS



A FVE-051-MD with console

See page 144 for dimensional layout.

Unit can be ordered in
5 different increments:
45½" wide | 50½" wide | 55½" wide
60½" wide | 68½" wide
Please specify width when ordering

Standard Features

- Soft close (concealed hinge) doors
- LED Touch Lighting in bridge and angled side cabinets
 - 6 Adjustable glass shelves
 - 1 Adjustable shelf behind wood door
 - Adjustable shelf below bridge
 - Console included
 - Cord hole in each side cabinet
 - Full hanging back behind TV area
 - Console bolted to side cabinet
 - Leg levelers
 - Black door pull and Black drawer pull Hardware L-1, L-2

Options

See page 70 for all options



Console Standard Features

- Soft close (concealed hinge) doors
- 1 Adjustable shelf behind each door
- Smoked glass
- Leg levelers
- When going wider, side doors get wider, glass doors stay the same

Console Options

- Heavy duty casters

Old Classic Sleigh

6-PIECE WALL UNIT WITH ADJUSTABLE BRIDGE



A FVE-058-OCS with console

Unit can be ordered in
5 different increments:
45½" wide | 50½" wide | 55½" wide
60½" wide | 68½" wide
Please specify width when ordering

Standard Features

- Soft close (concealed hinge) doors
- LED Touch lighting in bridge and side cabinet with 6 adjustable glass shelves
- Adjustable shelf below bridge
- 1 adjustable shelf behind wood doors
- Leg levelers
- Console included
- Cord hole in each side cabinet
- Full hanging back behind TV area
- 1½" - 1¾" Low profile round wood knob Hardware **C1, C2**



Options

See page 70 for all options

Console Standard Features

- Soft close (concealed hinge) doors
- 1 Adjustable shelf behind each door
- Smoked glass
- Leg levelers
- When going wider, side doors get wider, glass doors stay the same

Console Options

- Heavy duty casters

See page 143 for dimensional layout.

Victorian 3-PIECE WALL UNIT



A

Standard Features

- Soft close (concealed hinge) doors
- LED Touch lighting with 6 adjustable glass shelves
- Leg levelers
- Cord hole in each side cabinet
- Touch lighting above TV area
- 2 Hidden, full-extension drawers behind bottom door on both side cabinets
- 1 1/4" Diameter round wood knob Hardware A-1



Options

For all options see page 70

- Make center unit into 2 piece
- Bifold pocket doors on TV area only (36 1/2" TV height, open above TV area)
Note: This takes 7" away from TV width



Hidden drawers on each side cabinet, Standard Feature

B

See page 141 for dimensional layout.

A

FVE-193-VS

Center unit is available in 4 different increments:
45 1/2" Wide | 50 1/2" Wide
55 1/2" Wide | 60 1/2" Wide
Please specify when ordering

B

FVE-191-VS

Note: When ordering center piece only – use FVE -191-VS

Bifold pocket door option



FORKS VALLEY WOODWORKING



Better Because...

STANDARDS



5/8" Thick dovetailed,
full-extension functional drawers



Leg Levelers on all legs
for easy installation.



3/4" Raceway in back for easy wiring from shelf to shelf in
all component areas. All shelves are fully adjustable.



Solid hardwood sides and tops

MEDIA *Corner Consoles & Hutches*



Specially made to maximize often wasted space in corners and enhance the features of the room in which it is placed, a Forks Valley corner stand, cabinet or hutch displays (or hides) your entertainment equipment in style.





A

Artesa

CORNER MEDIA
CONSOLE



B

Boulder Creek

CORNER MEDIA
CONSOLE



C

CENTENNIAL

CORNER MEDIA
CONSOLE

Standard Features

- **2956** = Soft close (concealed hinge) doors with 1 Adjustable shelf
- **3060** = Doors on smooth sliding track with simple mechanism for easy removal with 2 adjustable shelves
- Smoked glass
- Hardware:
 - Boulder Creek = 1" Black knob **U**
 - Centennial = 1" Black square knob **R**



Options

- Self-positioning, soft-closing door
- Blum, soft close undermount drawers

A

FVE-3060-A
60" Wide
22" Deep
30¹/₄" High

B

FVE-2956-BC
56¹/₄" Wide
19³/₄" Deep
29" High

C

FVE-2956-CN
56¹/₄" Wide
19³/₄" Deep
29" High

See page 145 for dimensional layout.



Classic

CORNER MEDIA
CONSOLE

A



Hoosier Heritage

CORNER MEDIA
CONSOLE

B

*Shown with optional swivel
(Must specify when ordering)*



Mission

CORNER MEDIA
CONSOLE

C

Standard Features

- Soft close (concealed hinge) doors
- 1 Adjustable shelf behind doors
- Hardware: Classic and Hoosier Heritage – 1¼" Diameter round wood knob **A-1**, Mission – 1¼" Square pyramid wood knob **B1**



Options

- Swivel
- Change wood doors to smoked glass (up-charge)
- Available in XL = 56" wide

A

FVE 033 C
48¾" Wide
22" Deep
29¼" High

FVE-033-CXL
56" Wide
22" Deep
29¼" High

B

FVE-033-HH
48¾" Wide
22" Deep
30¾" High

FVE-033-HHXL
56" Wide
22" Deep
30¾" High

C

FVE-033-M
48¾" Wide
22" Deep
29¼" High

FVE-033-MXL
56" Wide
22" Deep
29¼" High

See page 145 for dimensional layout.



A

Boulder Creek

CORNER MEDIA
CONSOLE



B

Modesto

CORNER MEDIA
CONSOLE



C

Old Classic Sleigh

CORNER MEDIA
CONSOLE

Standard Features

- 1 Adjustable shelf behind right wood door and glass door
- Smoked glass
- All doors on smooth sliding track with simple mechanism for easy removal
- Hardware: Old Classic Sleigh = 1¹/₈"-1³/₄" Low profile round wood knob **C-1, C-2**
Modesto = Black door pull and Black drawer pull **L-1, L-2**
Boulder Creek = 1" Black knob **U**



Options

- Self-positioning, soft-closing sliding door
- Blum, soft close undermount drawers

A

FVE-053-BC-BP

69½" Wide
22" Deep
29" High

B

FVE-053-MD-BP

69½" Wide
22" Deep
29" High

C

FVE-053-OCS-BP

69½" Wide
22" Deep
28" High

See page 145 for dimensional layout.

2-PIECE CORNER MEDIA CONSOLE WITH HUTCH

Boulder Creek



A



B

Old Classic Sleigh

Standard Features

- 1 Adjustable shelf above TV area
- 1 Adjustable shelf behind right wood and glass door
- Smoked glass
- All doors on smooth sliding track with simple mechanism for easy removal
- 2-Piece unit
- Hardware: Old Classic Sleigh = 1 1/8" - 1 3/4" Low profile round wood knob **C-1, C-2** | Boulder Creek = 1" Black knob **U**

Options

- LED Touchlight above TV area
- Self-positioning, soft-closing sliding doors

See page 146 for dimensional layout.

A

FVE-053-BC
69 1/2" Wide
22" Deep
80" High

B

FVE-053-OCS
69 1/2" Wide
22" Deep
80" High

Modesto 2-PIECE CORNER MEDIA CONSOLE WITH HUTCH



52½" Wide TV area

Standard Features

- 1 Adjustable shelf above TV area
- 1 Adjustable shelf behind right wood and glass door
- Smoked glass
- All doors on smooth sliding track with simple mechanism for easy removal
- 2-Piece unit
- Black door pull and Black drawer pull Hardware **L1, L2**



Options

- LED Touchlight above TV area
- Self-positioning, self-closing sliding doors

A **FVE-053-MD**
69½" Wide
22" Deep
81" High



Sliding Doors

See page 146 for dimensional layout.

Bookcases & Stereo Cabinets

Like the printed volumes and decorative items they lovingly display, bookcases by Forks Valley beautifully reflect the taste of their owners. In addition, our stereo cabinets provide a stylish and durable way to protect valuable equipment.

Artesa



A



B

C



A

FVB-011-A-6ft

41 $\frac{1}{4}$ " W x 17 $\frac{1}{4}$ " D x 72" H

B

FVB-010-A

41 $\frac{1}{4}$ " W x 17 $\frac{1}{4}$ " D x 80" H

C

FVB-5466-A

54" W x 17 $\frac{1}{4}$ " D x 66" H

Standard Features

- Soft close (concealed hinge) doors on **FVB-010-A**
- Drilled for adjustable shelves behind wood doors on **FVB-010-A**
- 4 adjustable shelves, 1 with plate groove on **010-A**
- Shelves are 11 $\frac{1}{2}$ " deep

- **5466** = Self positioning, soft close sliding glass doors with leaded and antique glass, 8 adjustable shelves, 2 with plate groove
- 1" Wrought iron knob **P-1**

Options

- Clear glass in **5466**
- No doors on **5466**

Also available:

FVB-011-A-5ft. – 41 $\frac{1}{4}$ " W x 17 $\frac{1}{4}$ " D x 60" H
4 Shelves 1 with Plate Groove

Colbran & Craftsman

BARRISTER BOOKCASES

Standard Features

- Book area = 12½" H, 11½" D
- Leaded Glass – Standard feature
Colbran = LGCB
Craftsman = LGCM
- Hardware –
Colbran = 1" Black square knob Hardware - **R**
Craftsman = 1¼" Black square Stickley Mission Knob Hardware – **X-1**



Options

- Switch Leaded patterns or clear, beveled glass
No Up-charge
- Clear glass



A



B



Colbran handcrafted leaded glasswork. Antique glass enhanced with beveled glass, wispy amber, mission caramel and red accent pieces.
Code = LGCB



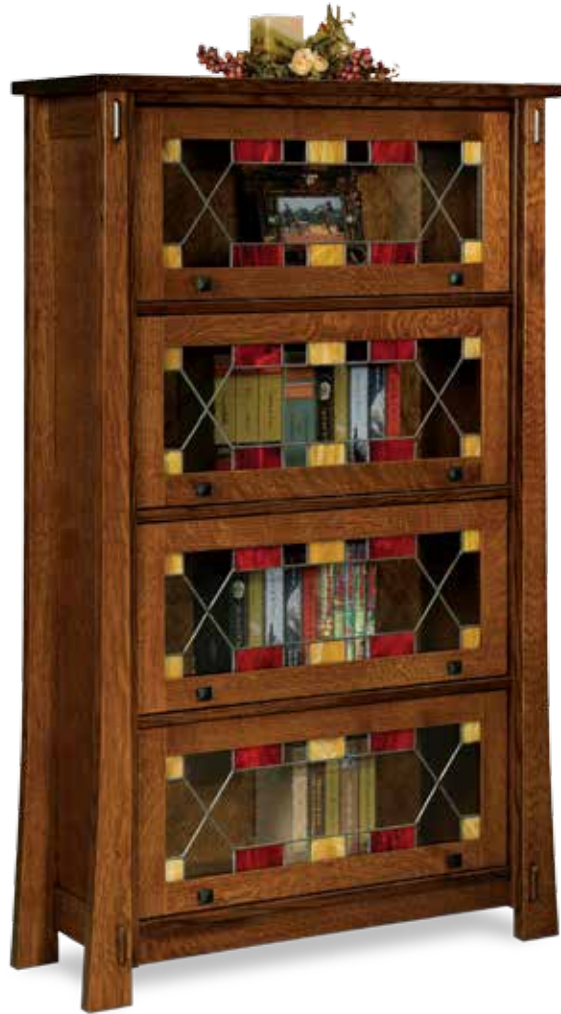
Craftsman handcrafted leaded glasswork. Seedy glass enhanced with champagne and earth wine accent pieces.
Code = LGCM

A **FVBR-4DR-CB**
40" wide
15½" deep
64" high

B **FVBR-4DR-CM**
40¼" wide
15" deep
64¼" high

Artesa, Boulder Creek & Modesto

BARRISTER BOOKCASES



A



B



Standard Feature: Doors slide smoothly into cabinet with roller glides



C

Standard Features

- Book area= 12½"H, 11½"D
- Hardware – Artesa= 1" Wrought Iron knob **P-1**
Boulder Creek= 1" Black knob **U**
Modesto= 1" Black square knob **R**
- Leaded Glass – Standard feature
Artesa = **LGAC**
Boulder Creek = **LGTU**
Modesta = **LGMD**

Options

- Switch Leaded patterns or clear, beveled glass – No Up-charge
- Clear glass

- A** **FVBR-4DR-MD**
37½" W x 14½" D x 63½" H
- B** **FVBR-4DR-A**
40¾" W x 15¼" D x 67¼" H
- C** **FVBR-4DR-BC**
39¼" W x 16" D x 63½" H

Boulder Creek

BOOKCASES



A



B



C

A FVB-011-BC-6ft
39¼" W x 16" D x 72" H

B FVB-010-BC
39¼" W x 16" D x 80" H

C FVB-011-BC-5ft.
39¼" W x 16" D x 60" H

Standard Features

- B & C = 4 adjustable shelves, 1 with plate groove
- Shelves are 11½" deep
- Soft close (concealed hinge) doors
- Drilled for adjustable shelves behind wood doors on FVB-010-BC
- 1" Black knob Hardware U

Bridger Mission BOOKCASES



A



B



Optional Glass Doors



C

A FVB-010-BM
39" W x 14³/₄" D x 80" H

B FVB-011-BM-5ft
39" W x 14³/₄" D x 60³/₄" H

C FVB-011-BM-4ft
39" W x 14³/₄" D x 48" H

Standard Features

- A&B = 4 adjustable shelves, 1 with plate groove
- Shelves are 11¹/₂" deep
- Soft close (concealed hinge) doors

- Drilled for adjustable shelves behind wood doors on FVB-010-BM
- Hardware = 1¹/₄" Square pyramid knob B1

Options

- Glass doors with mullion

Also available:

FVB-011-BM-6ft – 39" W x 14³/₄" D x 72" H
5 Shelves, 1 with plate groove

Ensenada

BOOKCASES



A



B



C

Standard Features

- 4 adjustable shelves, 1 with plate groove on 010-EN
- Shelves are 11½" deep
- Soft close (concealed hinge) doors
- Drilled for adjustable shelves behind wood doors on FVB-010-EN
- 1" Satin nickel knob T-1
- 5466 = Self positioning, soft close, sliding glass/wood doors with antique glass, 8 adjustable shelves, 2 with plate groove

Options

- Clear glass in 5466
- No doors on 5466

A

FVB-010-EN
42¼" W x 14¾" D x 80" H

B

FVB-011-EN-6ft
42¼" W x 14¾" D x 72" H

C

FVB-5466-EN
54" W x 16" D x 66" H

Hoosier Heritage

BOOKCASES



A B



C

A FVB-010-HH
37" W x 14³/₄" D x 79³/₄" H

B FVB-011-HH-5ft
37" W x 14³/₄" x D 59³/₄" H

C FVB-011-HH-4ft
37" W x 14³/₄" D x 47³/₄" H

Standard Features

- A & B = 4 adjustable shelves, 1 with plate groove
- Shelves are 11¹/₂" deep
- Soft close (concealed hinge) doors
- Drilled for adjustable shelves behind wood doors on FVB-010-HH

- 1 1/4" Diameter round wood knob Hardware A1

Options

- Glass doors with mullion

Also available:

FVB-011-HH-6ft – 37"W x 14³/₄"D x 71³/₄"H
5 Shelves, 1 with plate groove

Modesto

BOOKCASES



A



B



C

Standard Features

- Soft close (concealed hinge) doors
- 4 adjustable shelves, 1 with plate groove = **FVB-010**
- Shelves are 11½" deep
- Drilled for adjustable shelves behind wood doors on **FVB-010**
- Black door pull Hardware L-1
- **5466** = Self positioning, soft close, sliding glass/wood doors with clear glass, 8 adjustable shelves, 2 with plate grooves

Options

- No doors on **5466**

A **FVB-010-MD**
36" W x 14¼" D x 80" H

B **FVB-011-MD-6ft**
36" W x 14¼" D x 72" H

C **FVB-5466-MD**
54" W x 15½" D x 66" H

Also available:

FVB-011-MD-5ft. – 36" W x 14 1/4" D x 60" H
4 Shelves 1 with Plate Groove

Old Classic Sleigh

BOOKCASES



A



B



Optional
Glass Doors

C



A FVE-011-OCS-5ft
36" Wide
16" Deep
60³/₄" High

B FVE-010-OCS
36" Wide
16" Deep
78" High

C FVE-011-OCS-6ft
36" Wide
16" Deep
72" High

Standard Features

- A & B = 4 adjustable shelves, 1 with plate groove
- Shelves are 11¹/₂" deep
- Soft close (concealed hinge) doors
- Drilled for adjustable shelves behind wood doors on 010-OCS
- HDW= C2

Options

- Glass doors

Artesa & Boulder Creek

DOUBLE BOOKCASES – ONE-PIECE UNITS



A



B

Standard Features

- 10 Adjustable shelves, 2 with plate groove
- Shelves are 11½" deep

Options

- Glass doors

A

FVB-012-A-6ft
74" W x 17¼" D x 72" H

B

FVB-012-BC-6ft
72¼" W x 16" D x 72" H

Bridger Mission, *Hoosier Heritage* & Modesto

DOUBLE BOOKCASES – ONE-PIECE UNITS



A



B



C

Standard Features

- 10 Adjustable shelves,
2 with plate groove
- Shelves are 11½" deep

Options

- Glass doors with mullion



Optional Glass Doors

A FVB-012-BM-6ft
71¼" W x 14¾" D x 72" H

B FVB-012-HH-6ft
67¾" W x 14¾" D x 71¾" H

C FVB-012-MD-6ft
68½" W x 14¼" D x 72" H

STEREO CABINETS

Old Classic Sleigh

Hoosier Heritage

Mission



Standard Features

FVE-026-OCS

- Soft close (concealed hinge) doors
- 5 Adjustable shelves
- Smoked glass
- Hardware = **C-2**

FVE-026-C & FVE-026-M

- Soft close (concealed hinge) doors
- 4 Adjustable shelves
- Smoked glass
- Classic Hardware = **A1**
- Mission Hardware = **B1**

FVE-027-OCS, FVE-027-HH & FVE-027-M

- Soft close (concealed hinge) doors
- 3 Adjustable shelves
- Smoked glass
- Old Classic Sleigh Hardware = **C-1, C-2**
- Hoosier Heritage Hardware = **A-1, A-2**
- Mission Hardware = **B1**

See page 147 for dimensional layouts.

A **FVE-027-OCS**
24 1/4" W x 20 1/4" D x 61" H

B **FVE-026-OCS**
24 1/4" W x 20 1/4" D x 60 3/4" H

C **FVE-027-HH**
26 1/2" W x 19" D x 60" H

D **FVE-026-M**
26 3/4" W x 17 3/4" D x 48 3/4" H

E **FVE-027-M**
24 1/2" W x 18" D x 60" H

F **FVE-026-C**
27 1/4" W x 18" D x 45 3/4" H

Classic

Home Office & Business Furnishings

Unmatched comfort, maximum functionality, heirloom-quality construction, natural hardwood grains enriched by a choice of fine finishes and artisan styling true to the Mission, Arts & Crafts or Modern designs perfected by traditional woodworkers...this is office furniture the Forks Valley way ... your way.



DESKS | FILE CABINETS

Artesa

OFFICE COLLECTION

Looking at the Artesa office, you might think it is simply striking...and it is...but it is so much more. Writing pullouts, deep file drawers, an optional keyboard drawer and thoughtfully planned storage space all work together to add organization and efficiency to your personal work environment.



Colbran

OFFICE COLLECTION

Dream. Plan. Communicate with the chaotic outside world. Inside, you'll be working in a grounded, stress-free environment when you add Colbran furniture to your home or office.



Ensenada

OFFICE COLLECTION

Whether catching up on household finances or working on a big project with a tight deadline, Ensenada office furniture, with its clean, graceful lines, inspires relaxed productivity.



Kascade OFFICE COLLECTION

Form and function found the best possible balance in the Kascade office. Uniquely artful details like corbels and applied slats create a new twist on the classic Mission style. Subtly designed accommodations for modern office electronics are also built in.



Victorian

WRAP-AROUND DESK

What do you want your workspace to say about you? That quality is a priority to you? That you sweat the details? That the style best suited to your taste is simple yet stately? If so, the Victorian Wrap-Around Desk is the perfect choice for your home or business office.



FORKS VALLEY WOODWORKING



*Better Because of our
Standards and Options*

STANDARDS



Dimmable LED strip lighting in work area and open shelf area is standard on all hutch tops



1" Thick solid wood pullout work space 14" wide and 17" deep



All Wood File Rails built into drawer box



5/8" Thick dovetailed, full extension functional drawers



Leg Levelers on all legs for easy installation.

OPTIONS



Add lock to any drawer



Organizer tray in pencil drawer



2" Wooden grommets in any desk top - must specify where



Blum Soft close undermount slides on drawers



Keyboard pullout drawer on any desk 21" w x 15" D x 2 1/2" H



Dimmable LED strip lighting under desktop on 3365 desks

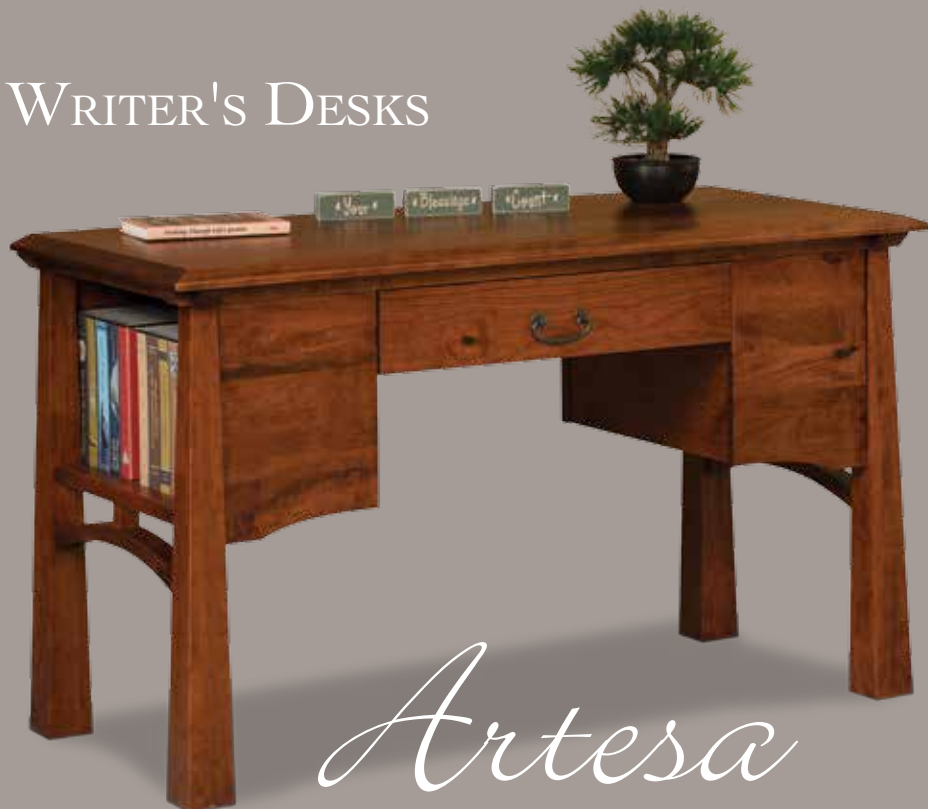


Knee-hole Area = Add 5" tp knee-hole width, this adds 5" to overall desk width (standard knee-hole is 24 1/2" width, 25" high)



Double USB port charging station with black non-slip mat inside pencil drawer on any desk

WRITER'S DESKS



Artesa

Standard Features

- B = Ebony inlays in BC
- Kneehole = 24 1/2" W
- Pencil Drawer
- A = Solid, 4 sided tapered legs
- C = Solid, curved base, curved drawer fronts
- Boulder Creek = 1" Black knob **U**
- Artesa = Wrought Iron drawer pull **P-2**
- Saratoga = Satin Nickel drawer pull **I-2**



A FVD-2252-A
52" Wide
22" Deep
31" High

A B

B FVD-2252-BC
52" Wide
22" Deep
31" High

C

C FVD-3060-ST
60" Wide
30" Deep
31" High

Boulder Creek



SARATOGA

Options

- See page 109 for all options

Bridger Mission & Craftsman DESKS



Finished back side



Standard Pullouts on desk

Standard Features

- **BM** = Kneehole = 24½" wide with Pencil drawer
- **BM** = 2 Drawers on right side
- **BM** = Pullout on top, each side
- **BM** = 1 File Drawer on left side (to look like 2 drawers)
- Hardware – Bridger Mission and Craftsman = Black Stickley Mission Drawer Pull **X-2**

A

B



Options

- See page 109 for all options



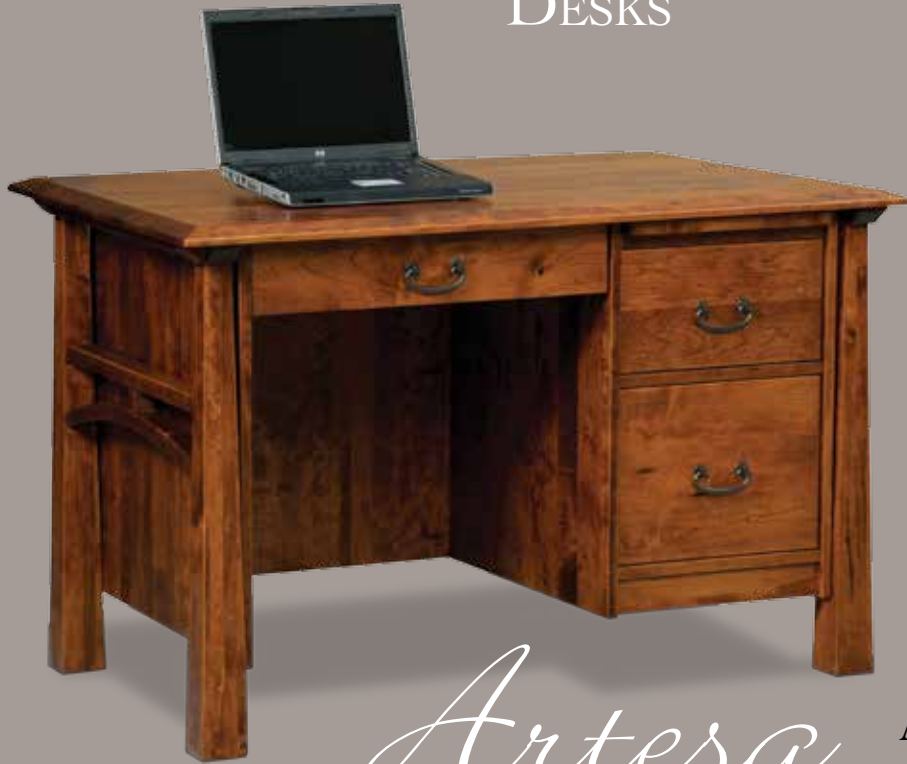
Finished back side



A **FVD-3065-BM**
65" Wide
30" Deep
31" High

B **FVD-3065-CM**
65" Wide
30" Deep
31" High

DESKS



Artesa A

Standard Features

- BC= Ebony inlays
- Kneehole = 24½" wide with Pencil drawer
- 1 File drawer
- Pullout on top, above drawers
- Hardware – Artesa = Wrought Iron drawer pull P-2
Boulder Creek = 1" Black knob U
Kascade = 1" Square Black knob R



Options

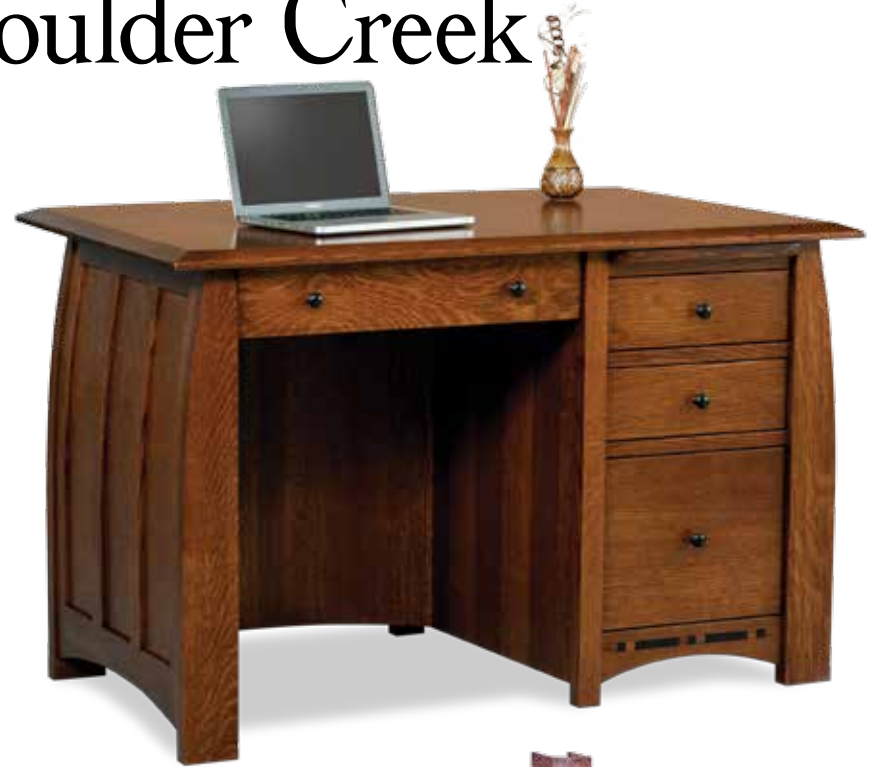
- See page 109 for all options

A FVD-2849-A
Unfinished back
49½" Wide
28¼" Deep
31" High

B FVD-2849-BC
Unfinished back
49" Wide
27½" Deep
31" High

C FVD-2849-KS
Unfinished back
48¼" Wide
28¼" Deep
31" High

Boulder Creek



B

C



Kascade

Artesa DESKS AND FILING CABINETS



A B



Standard Features

- Solid, 4 sided tapered legs
- Kneehole = 24½" wide with Pencil drawer
- 2 File drawers
- Pullout on top, each side
- Wrought Iron drawer pull Hardware P-2

Options

- See page 109 for all options

A **FVD-2865-A**
Unfinished back
65" Wide
28 1/4" Deep
31" High

B **FVD-3365-A**
Finished back,
curved top
65" Wide
33" Deep
31" High

C **FVF-2DWR-A**
Unfinished back
24¼" Wide
28¼" Deep
31" High

D **FVF-2DWR-A-F**
Finished back
24¼" Wide
30" Deep
31" High



C



D

Boulder Creek



A

C



D

E

B

C

D

E

Desk Standard Features

- Ebony inlays
- 2 File drawers
- Kneehole = 24-1/2" W x 25" H
- Pencil Drawer
- Curved, solid reversed-panel sides
- Pullout on top of each side
- 1" Black knob Hardware U

Hutch Standard Features

- Soft close (concealed hinge) doors
- Dimmable LED Touchlighting (warm white) in work area and open shelf area
- 2 Adjustable shelves behind wood door
- Adjustable glass shelf in center

Options

- See page 109 for all options

A **FVD-2865-HT-BC**
2 pc., desk base & hutch top
65" Wide
27½" Deep
79¾" High

B **FVD-2865-BC**
Unfinished back
65" Wide
27½" Deep
31" High

C **FVD-3365-BC**
Finished back, inlays, curved top
65" Wide
33" Deep
31" High

D **FVF-2DWR-BC**
Unfinished back
23" Wide
28" Deep
31" High

E **FVF-2DWR-BC-F**
Finished back
23" Wide
30" Deep
31" High

See page 148 for dimensional layout.

Colbran DESKS AND FILING CABINETS



A



B

Standard Features

- Kneehole = 24½" wide with Pencil drawer
- 2 File drawers
- Pullout on top, each side
- Solid tapered sides
- 1" Black Square knob R



A

FVD-2865-CB
Unfinished back
67" Wide
28¼" Deep
31" High

C

FVF-2DWR-CB
Unfinished back
24¼" Wide
28¼" Deep
31" High

B

FVD-3365-CB
Finished back,
curved top
67" Wide
33" Deep
31" High

D

FVF-2DWR-CB-F
Finished back
24¼" Wide
30" Deep
31" High



C



D

Options

- See page 109 for all options

Ensenada

DESKS AND FILING CABINETS



A



B

Standard Features

- Kneehole = 24½" wide with Pencil drawer
- 2 File drawers
- Pullout on top, each side
- Beveled edge on legs
- Satin Nickel drawer pull T-2



Options

- See page 109 for all options

A **FVD-2865-EN**
Unfinished back
67" Wide
28½" Deep
31" High

B **FVD-3365-EN**
Finished back,
curved top
67" Wide
33" Deep
31" High

C **FVF-2DWR-EN**
Unfinished back
24¼" Wide
28½" Deep
31" High

D **FVF-2DWR-EN-F**
Finished back
24¼" Wide
29¾" Deep
31" High



C



D

Grant DESKS AND FILING CABINETS



A



B

Standard Features

- Kneehole = 24½" wide with Pencil drawer
- 2 File drawers
- Pullout on top, each side
- Black Stickley Mission drawer pull X-2



Options

- See page 109 for all options

A **FVD-2865-GR**
Unfinished back
64¼" Wide
28½" Deep
31" High

B **FVD-3365-GR**
Finished back,
curved top
64¼" Wide
33" Deep
31" High

C **FVF-2DWR-GR**
Unfinished back
21" Wide
28½" Deep
31" High

D **FVF-2DWR-GR-F**
Finished back
21" Wide
30" Deep
31" High



C



D

Kascade DESKS AND FILING CABINETS



A



B

Standard Features

- Kneehole = 24½" wide with Pencil drawer
- 2 File drawers
- Pullout on top, each side
- 1" Black Square knob **R**



A **FVD-2865-KS**
Unfinished back
65" Wide
28¼" Deep
31" High

B **FVD-3365-KS**
Finished back,
curved top
65" Wide
33" Deep
31" High

C **FVF-2DWR-KS**
Unfinished back
21¼" Wide
28¼" Deep
31" High

D **FVF-2DWR-KS-F**
Finished back
21¼" Wide
29½" Deep
31" High



C



D

Options

- See page 109 for all options

SARATOGA DESKS



A



B



Standard Features

- Kneehole = 24½" wide with Pencil drawer
- Pullout on top, each side
- Solid curved base, curved drawer fronts
- **A** = 1 File Drawer on left side (to look like 2 drawers)
- **B** = 2 File Drawers
- Hardware – Satin Nickel Drawer Pull I-2



Options

- See page 109 for all options

A **FVD-3068-ST**
68¼" Wide
30" Deep
31" High

B **FVD-3368-ST**
68¼" Wide
33" Deep
31" High

Boulder Creek & Cascade TWO-PIECE DESKS



A

B



Standard Features

- 2 piece Desk
- Kneehole = 24-1/2" W x 25" H
- Pencil Drawer
- Pullout on top, each side of desk = 14" W x 17" D
- Unfinished back
- **BC** = Ebony inlays and Curved, solid Reversed panel sides
- Hardware = **BC** = 1" Round black knob **U**, **KS** = 1" Square black knob **R**



Standard features = 4" deep drawers with drawer stop (prevents drawer falling on desktop), Top Slots = 4½ W x 9¾" D x 5" H Side Slots = 11½ W x 9¾" D x 4¼ H, all dividers removable

A	FVD-2865-DT-BC	
	Desk	Topper
	65" Wide 27½" Deep 31" High	55" Wide 12" Deep 17" High

B	FVD-2865-DT-KS	
	Desk	Topper
	65" Wide 28¼" Deep 31" High	53½" Wide 11¼" Deep 17" High

Options

- See page 109 for all options

Artesa

FOUR-PIECE BACKBAR



A

Standard Features

- Solid 4 sided tapered legs
- 2 Adjustable shelves in each section on hutch
- 1 Adjustable shelf behind doors
- Hardware = 1" Round wrought iron knob P-1



Options

- LED touch lighting (warm white) with glass shelves in center hutch



B

A FVBB-2590-HT-A
90" Wide
24 $\frac{3}{4}$ " Deep
84" High

B FVBB-2590-A
90" Wide
24 $\frac{3}{4}$ " Deep
31" High

See page 148 for dimensional layout.

Artesa L DESK

A

FVD-7872L-A
78" Wide Left Side
72" Wide Right Side
30" Deep
31" High



A



Finished back

Standard Features

- Solid 4 sided tapered legs
- Keyboard Pullout Drawer on left side and pencil drawer on right
- 1 file drawer on each side
- Pullout on top, each side
- Wrought Iron drawer pull Hardware P2



Options

- Reverse sides = No up-charge
- Unfinished back
- See page 109 for all options



Featured standard pullout drawer

See page 148 for dimensional layout.

Boulder Creek L DESK

A
FVD-7872L-BC
78" Wide Left Side
72" Wide Right Side
30" Deep
31" High



A

Standard Features

- Ebony inlays
- Finished back
- Keyboard Pullout Drawer on left side and pencil drawer on right
- Curved solid raised panel sides
- 1 file drawer each side
- Pullout on top, each side
- 1" Black knob Hardware U



Options

- Reverse sides =
No up-charge
- Unfinished back
- See page 109 for all options

See page 148 for dimensional layout.



Finished back



Featured keyboard pullout drawer

Boulder Creek L DESK



A

B



Desk Standard Features

- 1 File Drawer
- Pull out on top, each side
- Pencil Drawer on right side and Keyboard Pullout Drawer on left side = 24"W x 15" D x 2½" H
- Kneehole = 23½" x 25" H both sides
- Unfinished back on left side and finished back on right side
- Grommet in top (Hutch side)
- Hardware = 1" round black knob U

Hutch Standard Features

- Soft close (concealed hinge) doors
- Dimmable LED touch lighting (warm white) in work area and open shelf area
- 1 Adjustable shelf in each section on top and 2 Adjustable shelves behind side door
- Work Area = 47¼"W x 13" D x 22" H

Options

- Reverse sides = No Upcharge
- B = Finished back on left side of desk
- See page 109 for all options

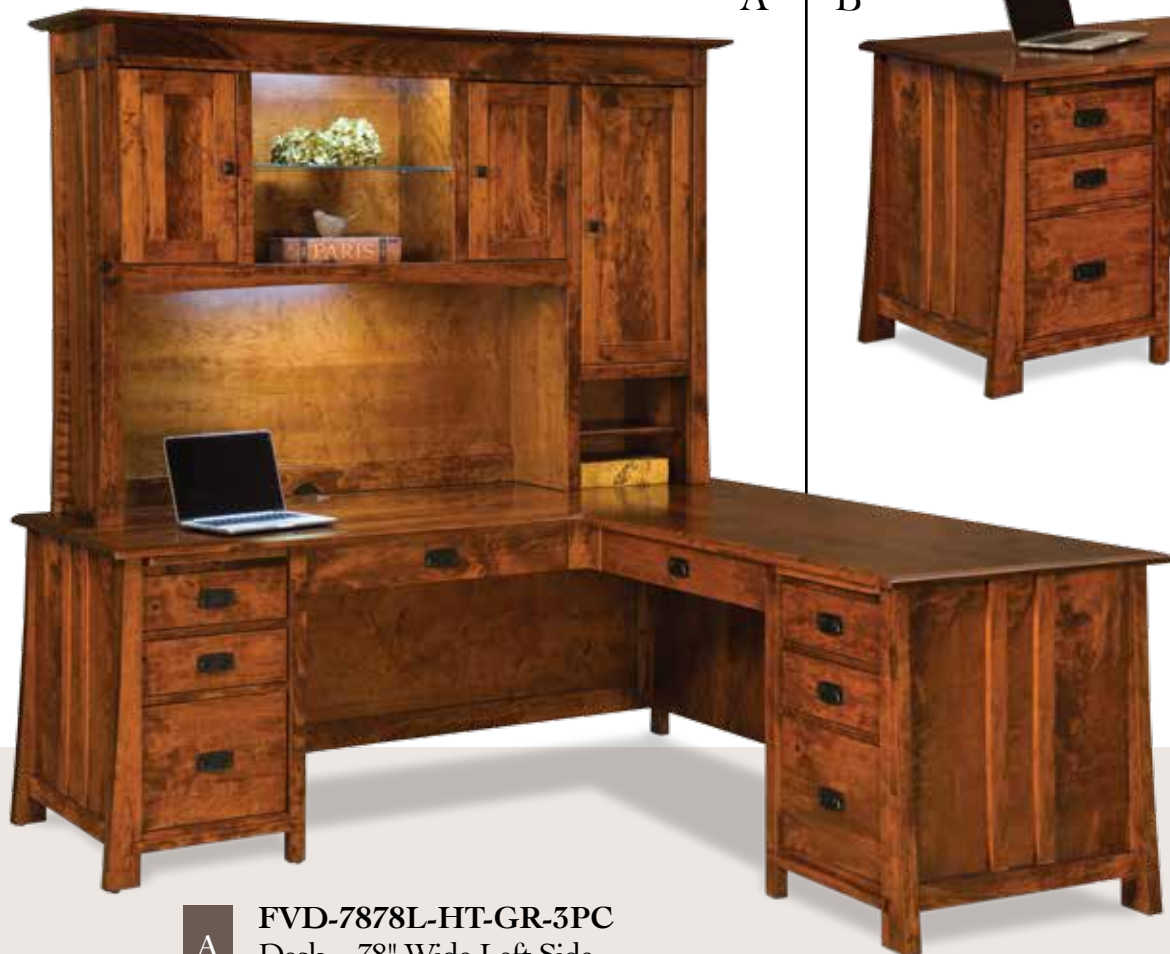
A **FVD-7878L-HT-BC-3PC**
 Desk - 78" Wide Left Side
 78" Wide Right Side
 30" Deep
 31" High
 Hutch - 72¼" W x 16½" D x 48¾" H

B **FVD-7878L-BC**
 Desk - 78" Wide Left Side
 78" Wide Right Side
 30" Deep
 31" High

See page 149 for dimensional layout.



Grant L DESK



A

FVD-7878L-HT-GR-3PC

Desk - 78" Wide Left Side
78" Wide Right Side
30" Deep
31" High

Hutch - 72¼" W x 16½" D x 48¾" H

B

FVD-7878L-GR

Desk - 78" Wide Left Side
78" Wide Right Side
30" Deep
31" High

See page 149 for dimensional layout.

B



Desk Standard Features

- 1 File Drawer each side
- Pull out on top, each side
- Pencil Drawer on right side and Keyboard Pullout Drawer on left side = 24" W x 15" D x 2½" H
- Kneehole Area = 30½" W x 25" H both sides
- Unfinished back on left side and finished back on right side
- Grommet in top (Hutch side)
- Hardware = 1¼" Black Stickley Mission Knob X-1 and black Stickley Mission Drawer Pull X-2

Hutch Standard Features

- Soft close (concealed hinge) doors
- Dimmable LED touch lighting (warm white) in work area and open shelf area
- 1 Adjustable Shelf in each section on top and 2 adjustable shelves behind side door
- Work Area = 47¼" W x 13" D x 22" H

Options

- Reverse sides = No Upcharge
- B= Finished back on left side of desk
- See page 109 for all options



Victorian 4-PIECE DESK

Standard Features

- Drawer Bank with 3 drawers (1 file drawer) on each side
- Keyboard Pullout Drawer on wall side
- Solid raised front and panel sides
- Pencil drawers – 2 in center kneehole, 1 in outside kneehole
- Grommet on desktop (Hutch side)
- Dimmable LED Touchlighting in work area and open shelf area
- Soft close (concealed hinge) doors
- 2 Adjustable shelves behind wood doors, 1 adjustable glass shelf in center
- 1¼" Diameter round knob Hardware **A-1**



A

Options

- Reverse sides = No up-charge
- Omit Touchlight
- Desk Base only = **FVD-9678U-VS** 3 piece
- See page 109 for all options

See page 150 for dimensional layout.



Finished back is standard



A		FVD-9678UHT-VS	
	Desk	Hutch	
	78" Wide	74½" Wide	
	96" Deep	19½" Deep	
	31" High	53" High	

Artesa, Boulder Creek & Cascade

LATERAL FILE CONSOLES



A



D



B



E



C

A FVLC-063-A
63" Wide
19³/₄" Deep
36" High

B FVLC-063-BC
63" Wide
19³/₄" Deep
31" High

C FVLC-063-KS
63" Wide
19³/₄" Deep
31" High

D FVL-2144-A
43⁵/₈" Wide
20³/₄" Deep
36" High

Standard Features

- Soft close (concealed hinge) doors
- Ebony inlays in Boulder Creek
- 1 Adjustable shelf behind doors
- 2 Lateral File drawers
- Full-extension slides
- Hardware - Artesa = P-1, P-2
Boulder Creek = U
Cascade = R



Options

- Boulder Creek and Cascade consoles can be made 36" tall add 36" behind code
See page 109 for options

E FVL-2144-BC
44" Wide
20³/₄" Deep
31" High

Glass Options & Leaded Glass



Texas star handcrafted leaded glasswork: clear glass enhanced with Texas star bevel cluster
Code = LGTS



Clear beveled glass



Speaker cloth



Mission handcrafted leaded glasswork: Smoked glass enhanced with clear bevel cluster
Code = LGM



Hoosier Heritage Handcrafted leaded glasswork: Smoked glass, enhanced with clear bevel cluster in center
Code = LGH



Tulip handcrafted leaded glasswork
Water glass enhanced with mission caramel and green tulip design + beveled glass
Code = LGTU



Arts & Crafts handcrafted leaded glasswork. Clear water glass enhanced with mission caramel and green accent pieces
Code = LGAC



Modesto handcrafted leaded glasswork. Antique glass enhanced with mission caramel and red accent pieces
Code=LGMD

Special Note: All remotes work through glasswork on this page.

Glass, Mullions & Hardware Options

Nothing gives our solid wood furniture the finishing touches like artistically designed leaded glass door inserts or hand-applied mullions in a variety of straight, curved or arched themes. Clear beveled glass, speaker cloth, seedy glass or water glass are other insert options.



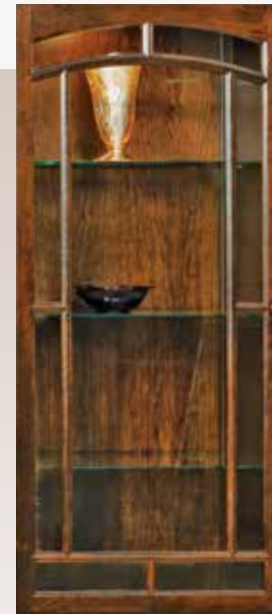
Mullion
Door Code – **MLMM**



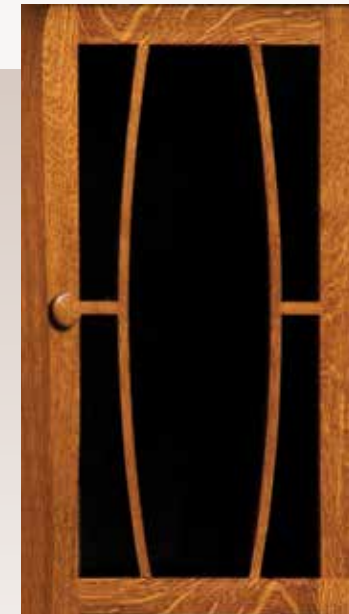
Mullions
Door Code – **MLHH**



Mullions
Door Code – **MLKS**



Mullions
Door code – **MLVS**



Mullions
Door code – **MLOCS**



Mullions
Door code – **MLCN**



Mullions
Door Code – **MLAC**



Seedy glass



Water glass

Special Note: All remotes work through glasswork on this page.

Decorative Hardware

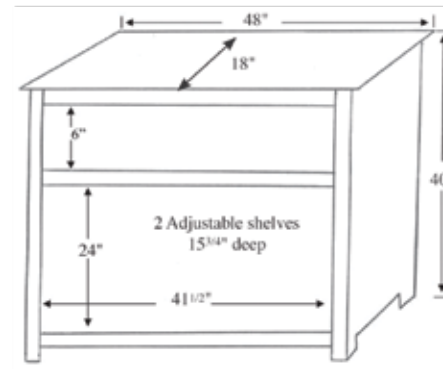


A-1	K-40-B	1 1/4" Diameter round wood knob	H-3	076-BK	Black Mission drawer pull	Q-1	K155-DBAC	1 1/8" Antique Copper knob
A-2	K-40-C	1 1/2" Diameter round wood knob	I-1	595-SN	1 1/4" Satin Nickel knob	Q-2	K155-96DBAC	Antique Copper drawer pull
B-1	K-50-B	1 1/4" Square Pyramid wood knob	I-2	595-96-SN	1 1/4" Satin Nickel drawer pull	R	D-524	1" Black square knob
B-2	K-50-C	1 1/2" Square Pyramid wood knob	J-1	595-DBAC	1 1/4" Oil Rubbed Bronze knob	S-1	107-DBAC	1 1/4" Oil Rubbed Bronze knob
C-1	11-LP	1 1/8" Low Profile round wood knob	J-2	595-96-DBAC	Oil Ribbed Bronzedrawer pull	S-2	3899-DBAC	Oil Rubbed Bronze drawer pull
C-2	17-LP	1 3/4" Low Profile round wood knob	K-1	4454-WID	1 1/8" Wrought Iron square knob	T-1	525-SN	1" Satin Nickel knob
D	K-53-B	1 1/4" Square Pyramid Black knob	K-2	4453-WID	Wrought Iron cup pull	T-2	525-96-SN	Satin Nickel drawer pull
E	1950-BN	1 1/4" Black Nickel knob	L-1	552	Black door pull	U	1217-MB	1" Black knob
F-1	53471-WN	1 1/4" Weathered Nickel knob	L-2	553	Black drawer pull	W-1	4425-WI	1 1/4" Wrought Iron knob
F-2	53470-WN	Weathered Nickel drawer pull	M-1	552-ORB	Oil Rubbed Bronze door pull	W-2	4424-WI	Wrought Iron drawer pull
G-1	1581-ORB	1 1/4" Oil Rubbed Bronze knob	M-2	553-ORB	Oil Rubbed Bronze drawer pull	X-1	D942-BL	1 1/4" Black Stickley Mission Knob
G-2	1580-ORB	Oil Rubbed Bronze drawer pull	O-1	53005-G10	1 1/4" Satin Nickel round knob	X-2	D925-BL	Blk Stickley Mission drawer Pull
H-2	077-BK	Black Mission door pull	P-1	D-570-W	1" Wrought Iron knob	Y-1	4655-SN	5" Satin Nickel Pull
			P-2	D-521-W	Wrought Iron drawer pull			

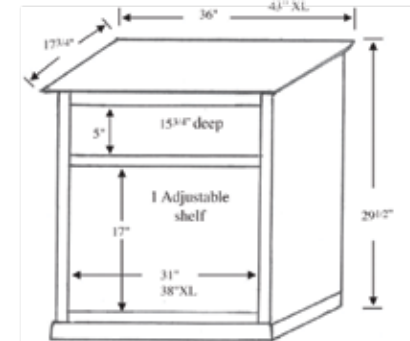
DIMENSIONAL Details



No details have been forgotten when preparing for your furnishing purchase. This section has all the dimensions for consoles, cabinets and large wall units needed for reference when selecting and ordering.

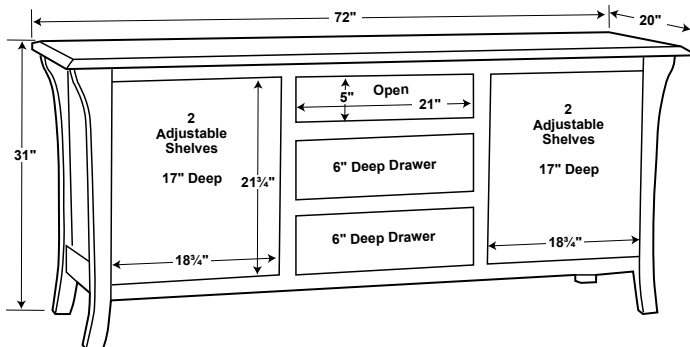


FVE-08-S
M

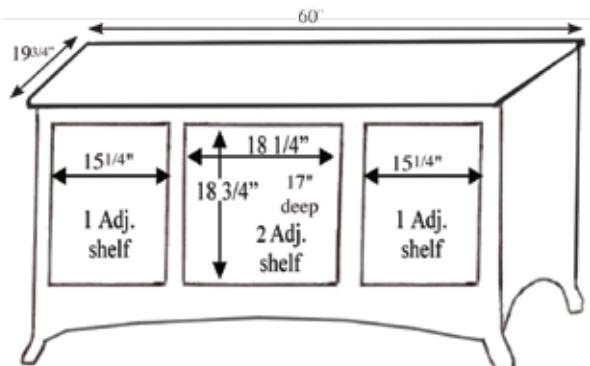


FVE-024-HH **FVE-024-XL-7"**
M **Wider**
C
CR

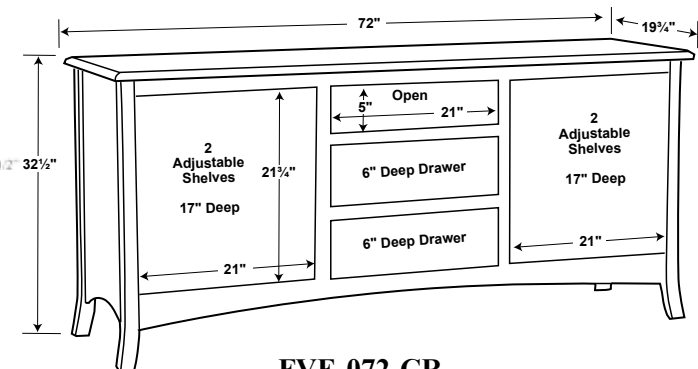
See below for Dimensional Layouts



FVE-072-EN



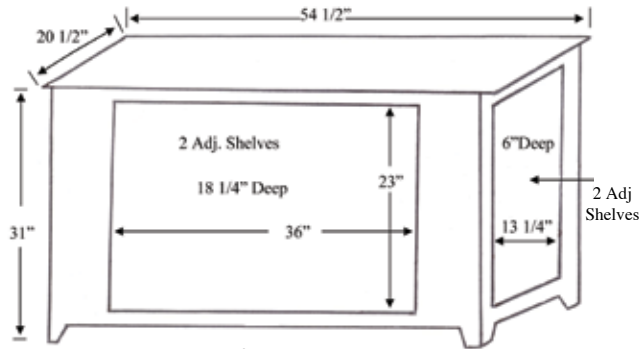
FVE-040-CR-BP



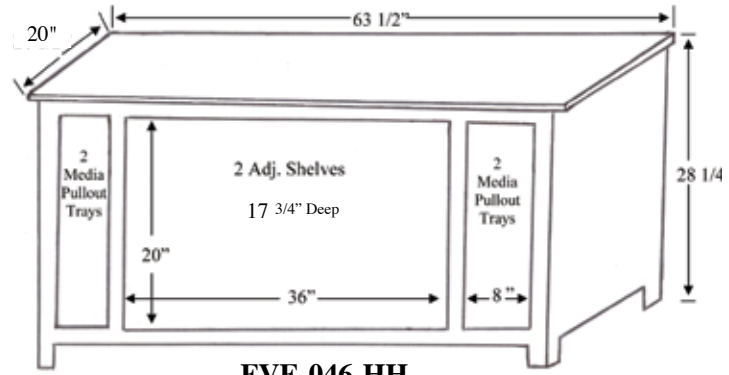
FVE-072-CR

Dimensional Details

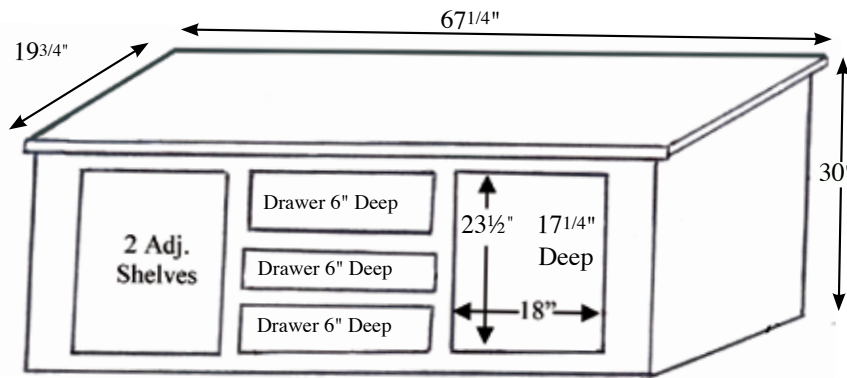
STANDS | CABINETS | CONSOLES



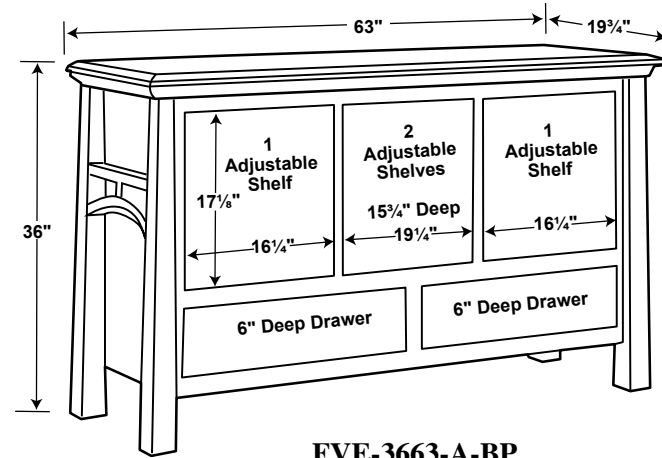
**FVE-045-HH
M**



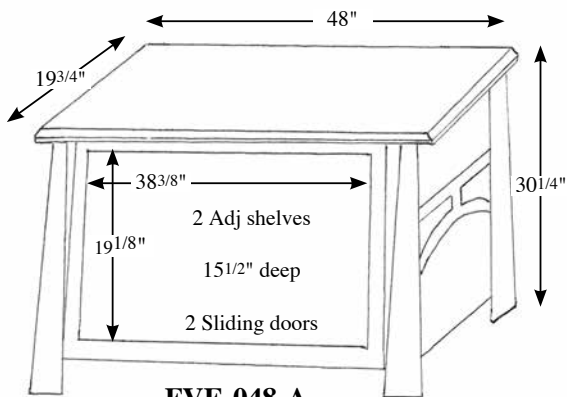
**FVE-046-HH
M**



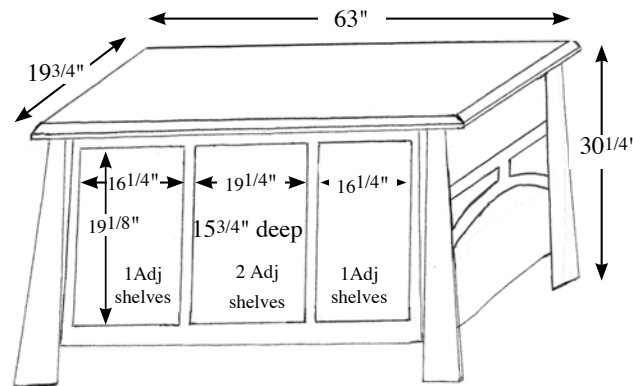
**FVE-047-VS-BP
MM-BP**



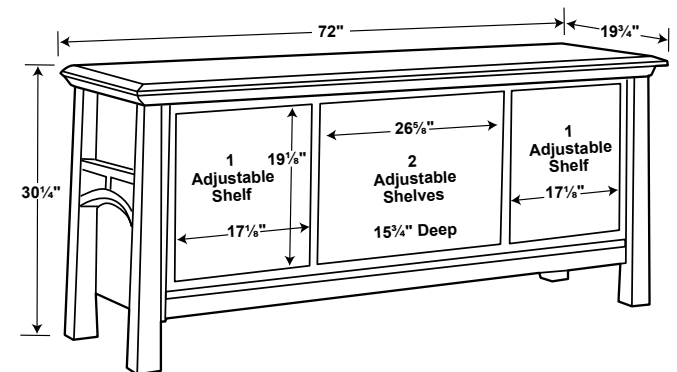
FVE-3663-A-BP



FVE-048-A



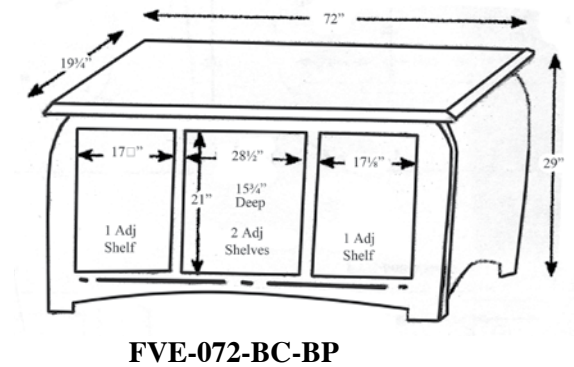
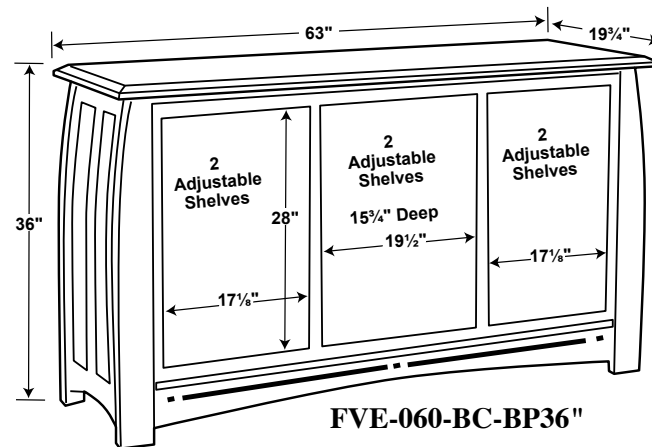
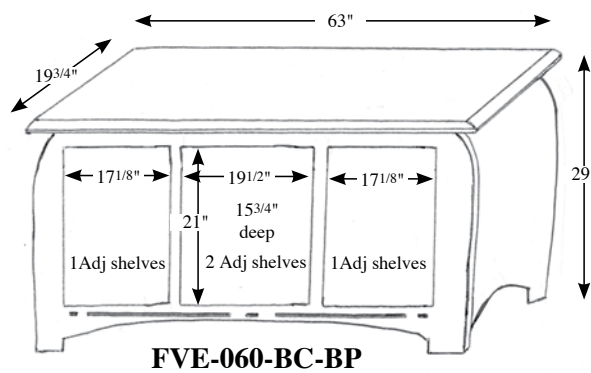
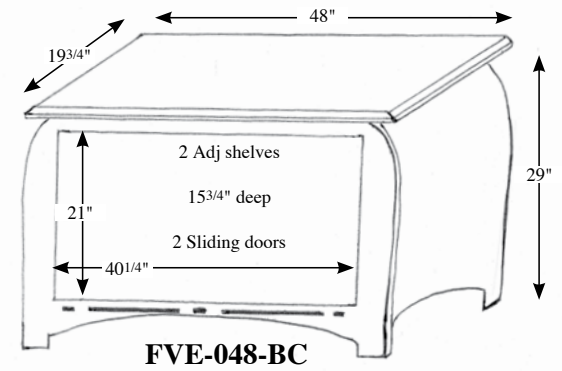
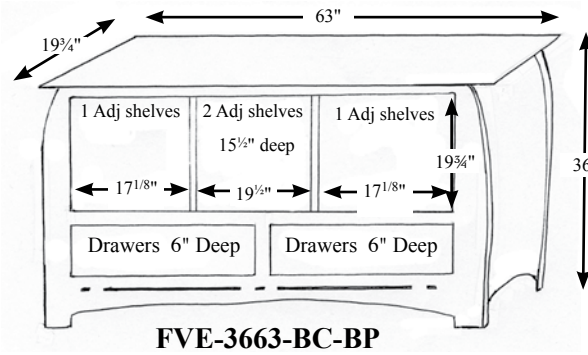
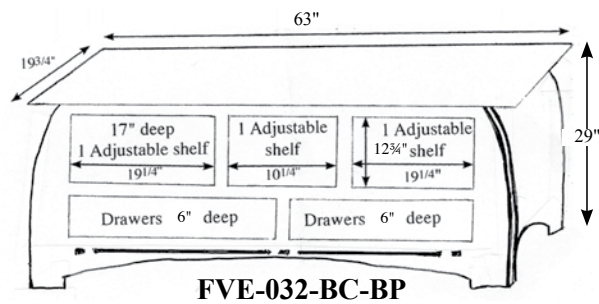
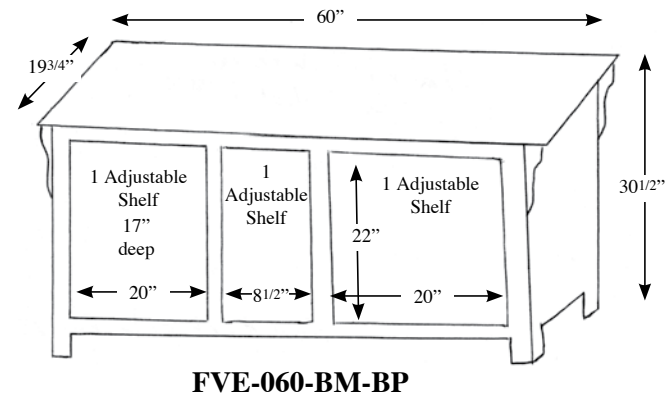
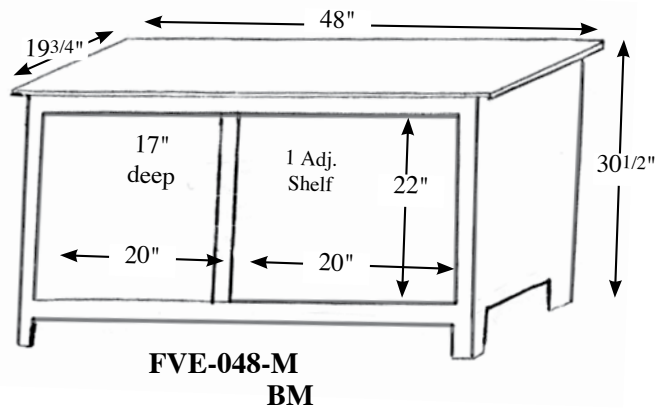
FVE-060-A-BP



FVE-072-A-BP

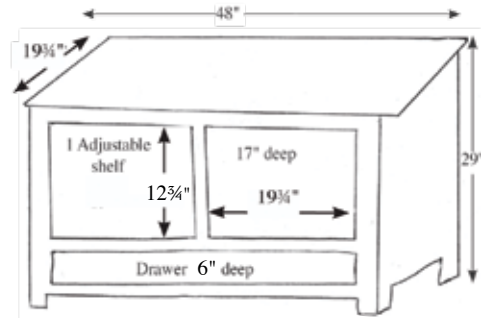
Dimensional Details

STANDS | CABINETS | CONSOLES

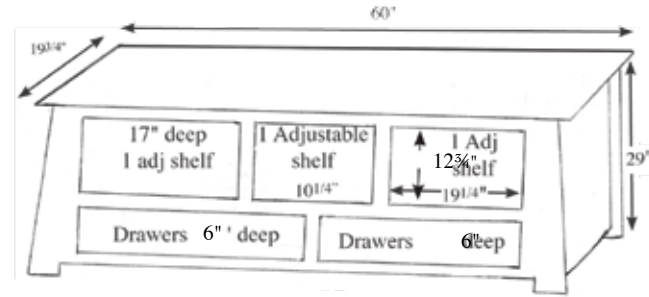


Dimensional Details

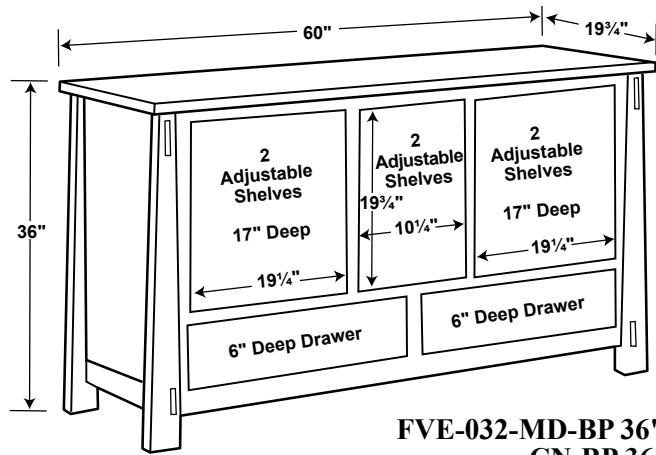
STANDS | CABINETS | CONSOLES



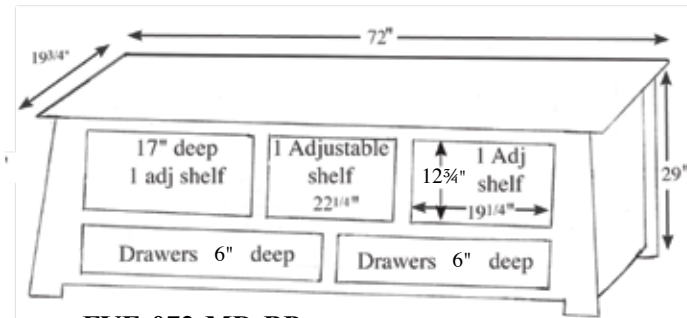
FVE-031-CN
MD
WL
CB topsize = 20¹/₄ D x 49¹/₄ W



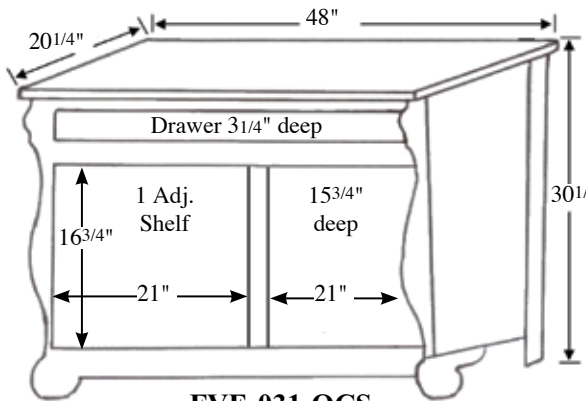
FVE-032-MD-BP
CN-BP
WL-BP
CB-BP topsize = 20¹/₄ D x 61¹/₄ W



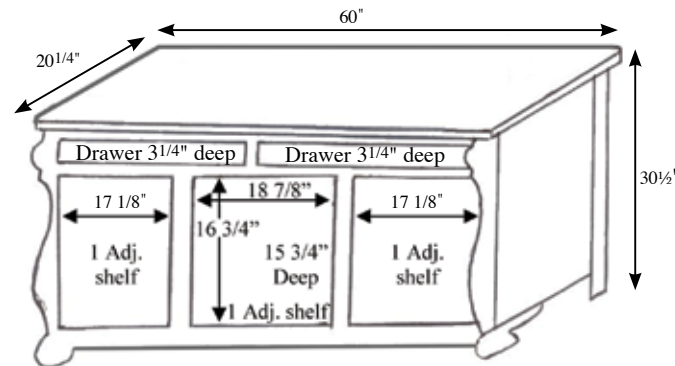
FVE-032-MD-BP 36\"/>



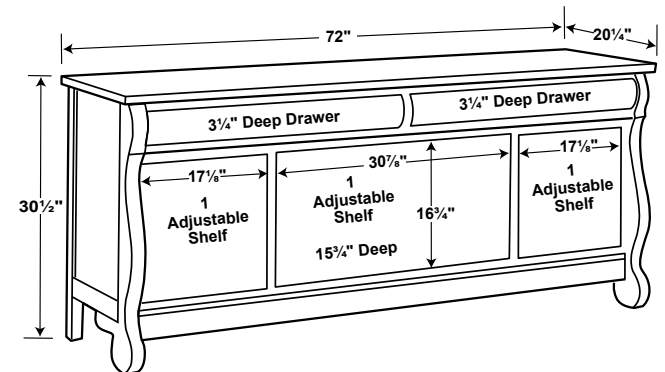
FVE-072-MD-BP
CN-BP
WL-BP
CB-BP topsize = 20¹/₄ D x 73¹/₄ W



FVE-031-OCS



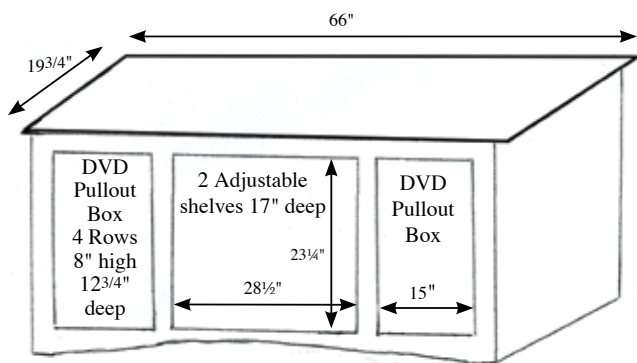
FVE-043-OCS-BP



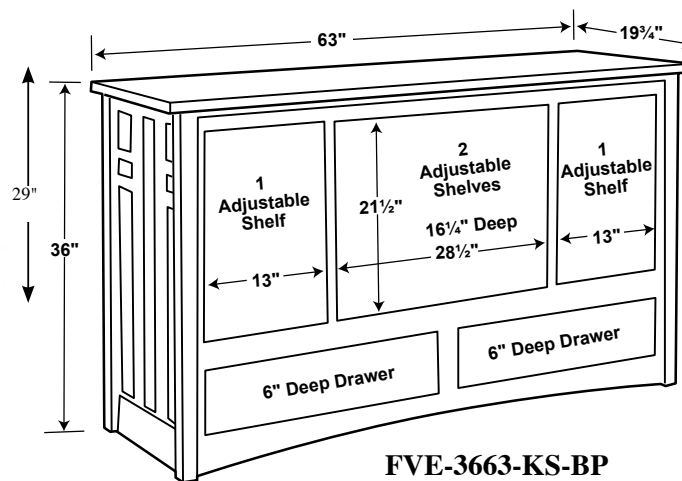
FVE-072-OCS-BP

Dimensional Details

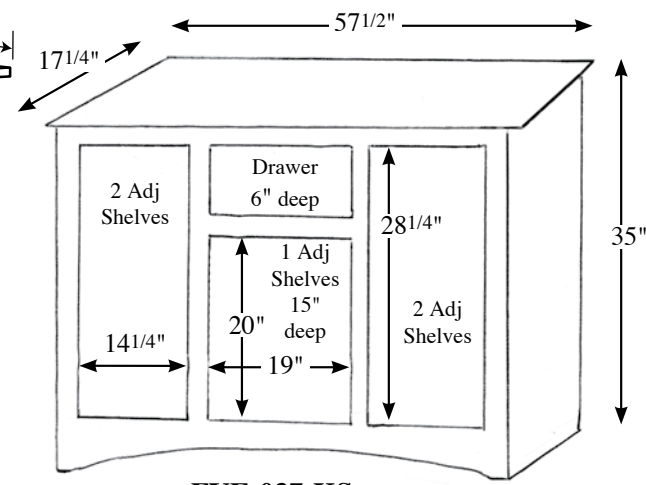
STANDS | CABINETS | CONSOLES



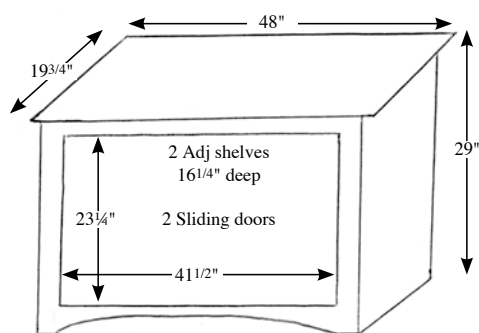
FVE-034-KS-BP



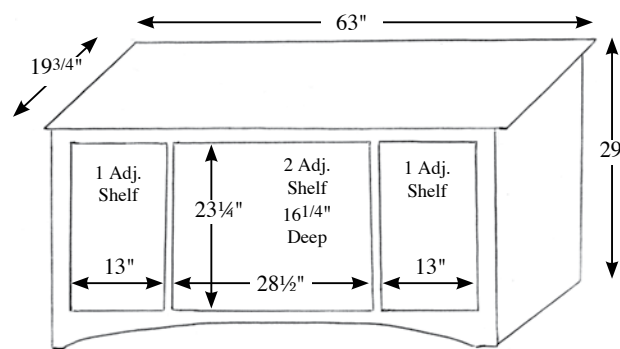
FVE-3663-KS-BP



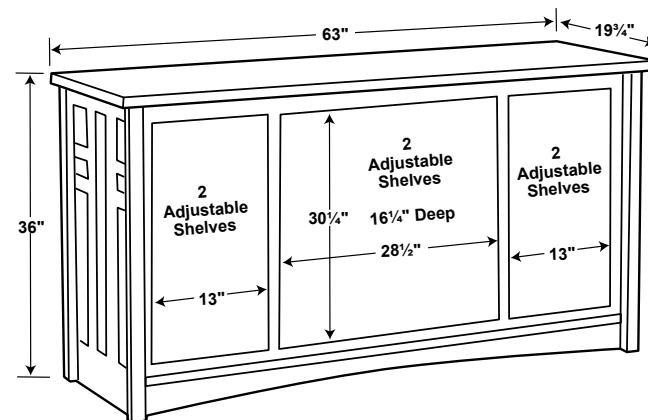
FVE-037-KS



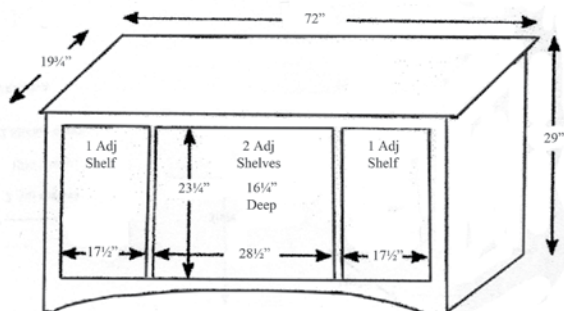
FVE-048-KS



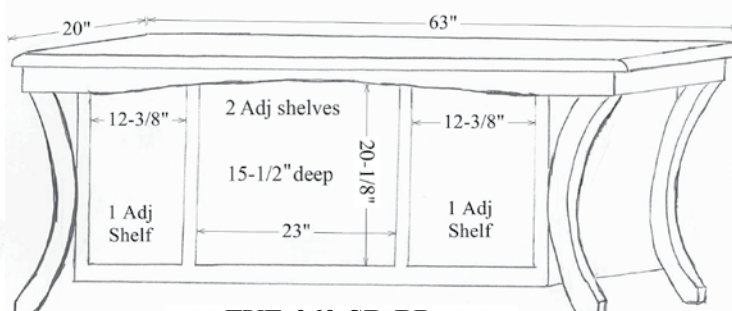
FVE-060-KS-BP



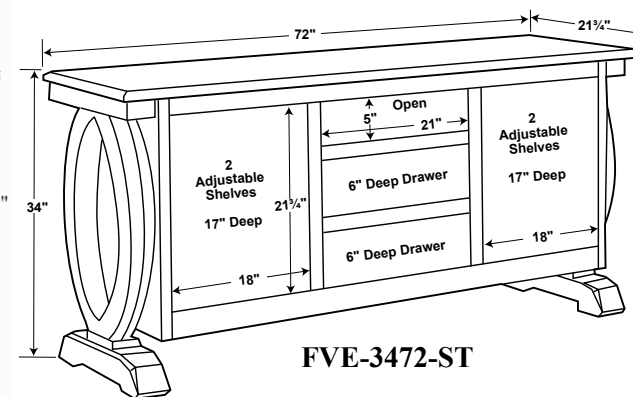
FVE-060-KS-BP36"



FVE-072-KS-BP



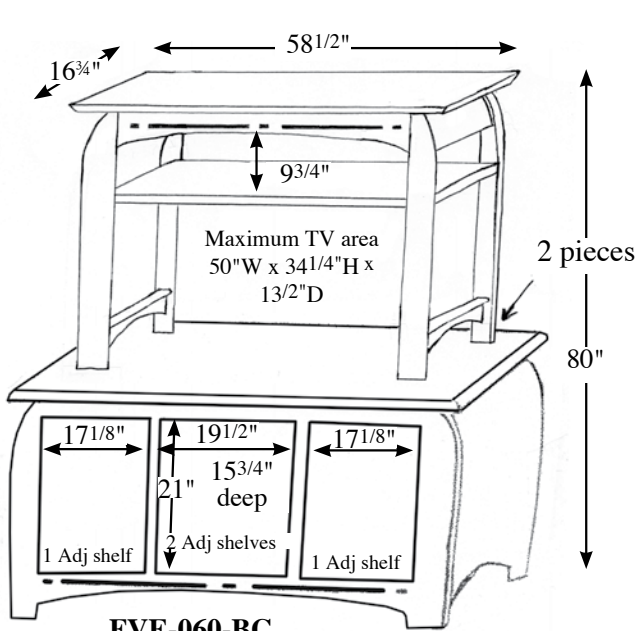
FVE-060-SR-BP



FVE-3472-ST

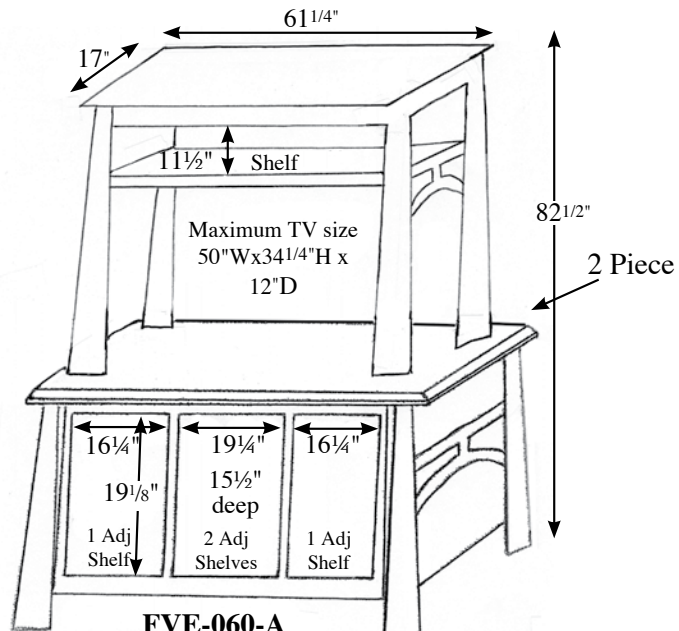
Dimensional Details

STANDS | CABINETS | CONSOLES



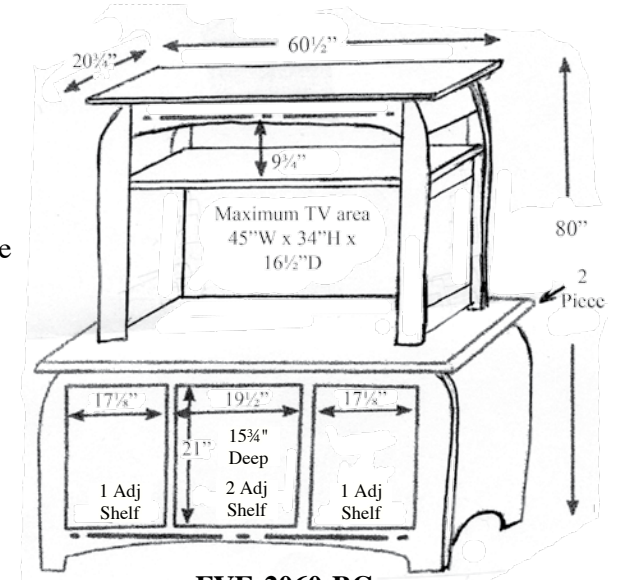
FVE-060-BC

Base only
63" W x 29"H x 19 3/4"D



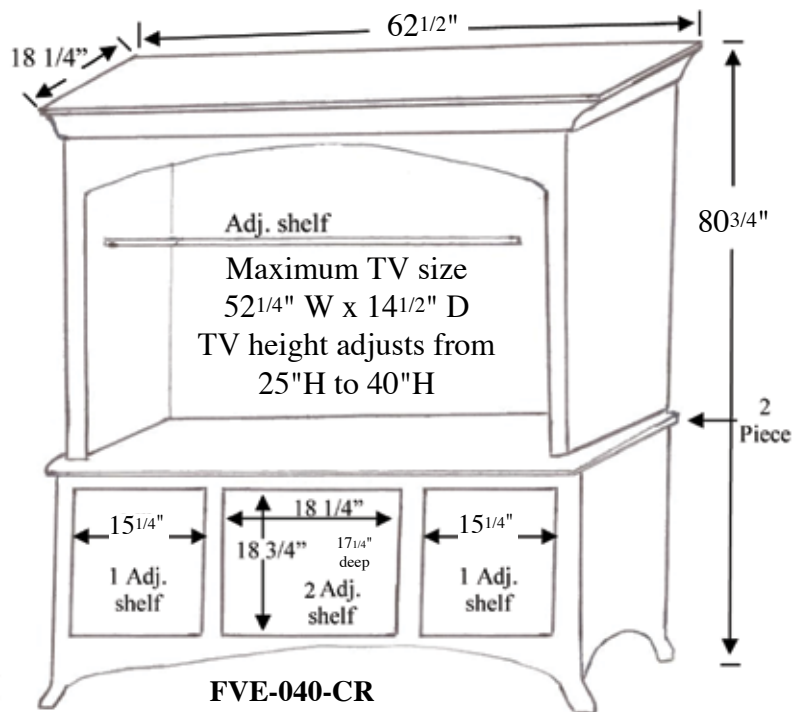
FVE-060-A

Base only
63" W x 30 1/4" H x 19 3/4" D



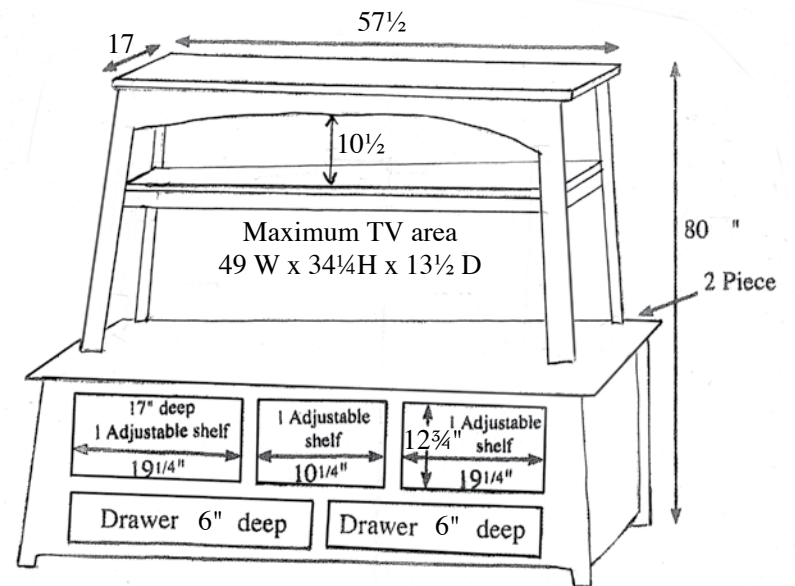
FVE-2060-BC

TV sits 29" off the floor



FVE-040-CR

Base only 60"W x 19 3/4"D x 29 1/2"H

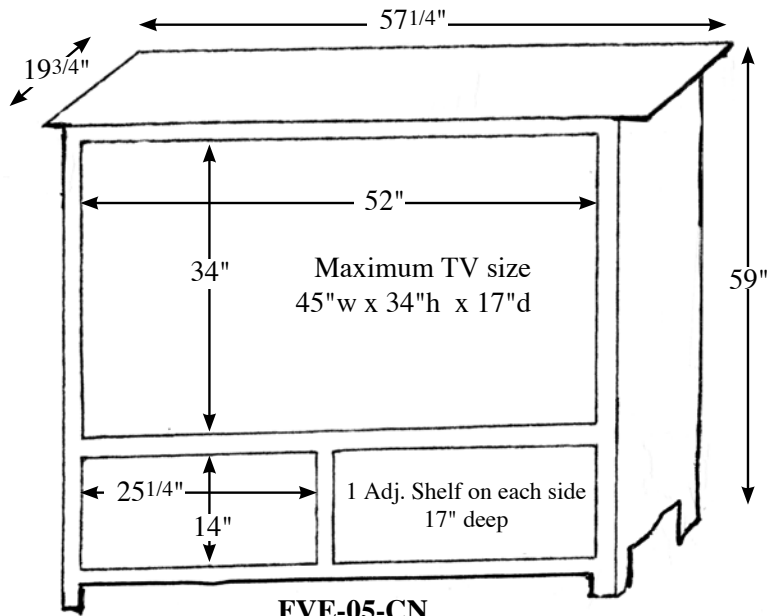


FVE-032-CB

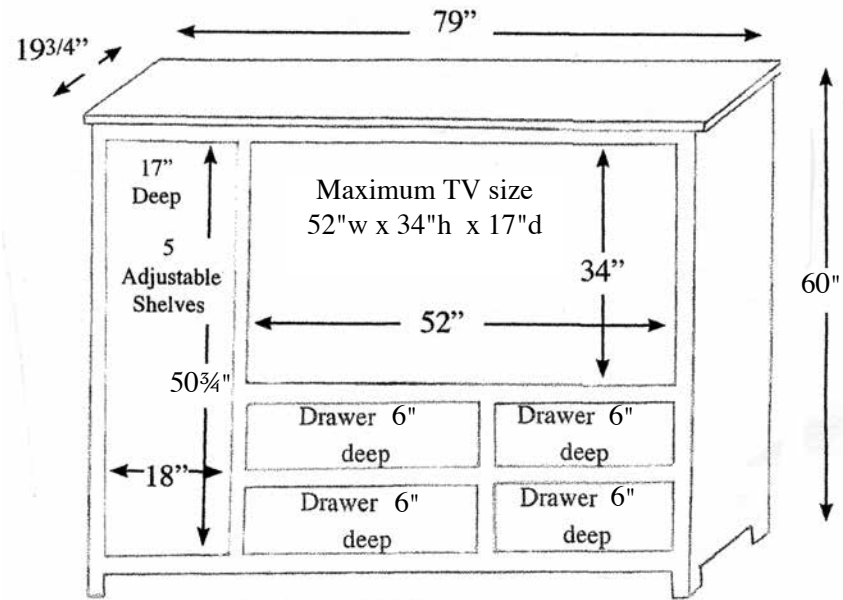
Base only 29H x 61 1/4W x 20 1/4 D

Dimensional Details

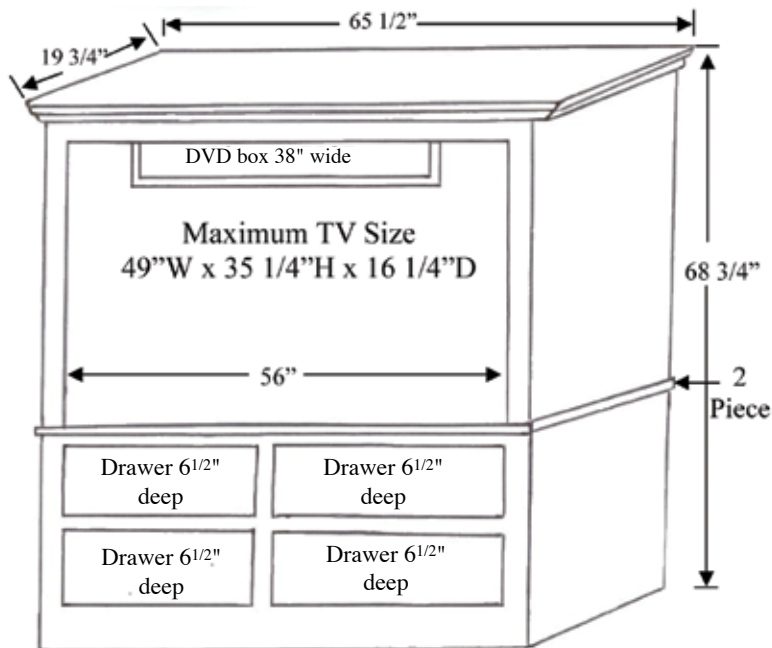
STANDS | CABINETS | CONSOLES



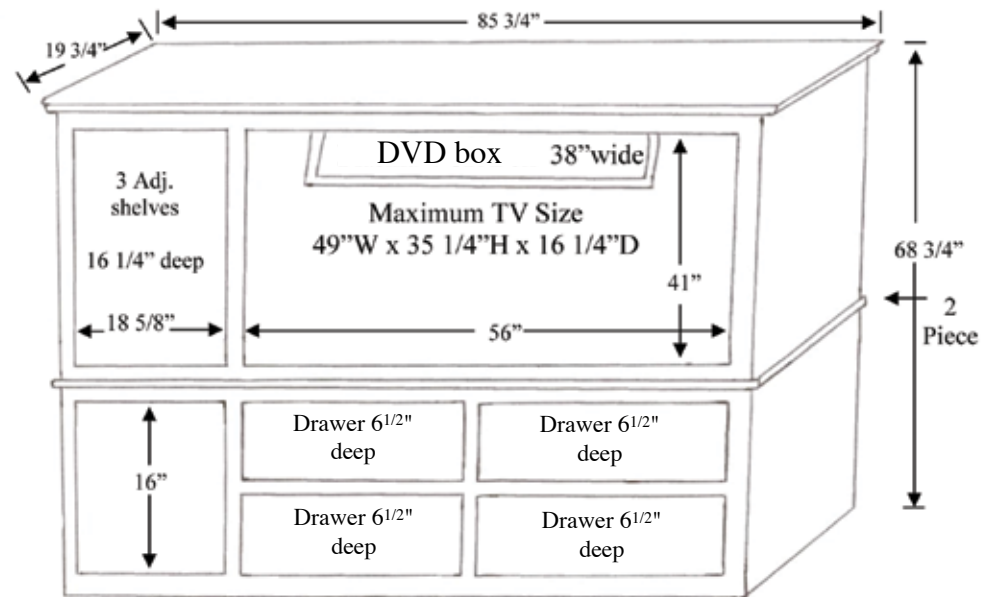
FVE-05-CN
TV sits 21 1/4" off the floor



FVE-06-CN
TV sits 22 3/4" off the floor



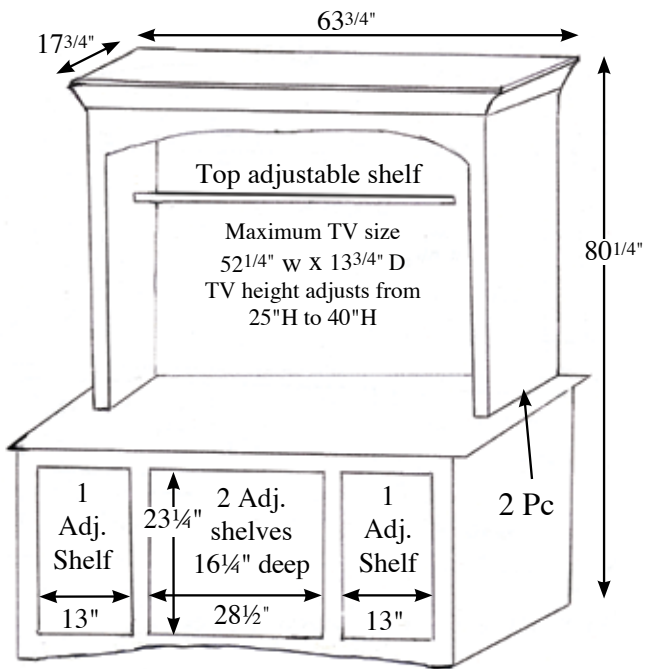
FVE-038-FCM
TV sits 22 1/2" off the floor



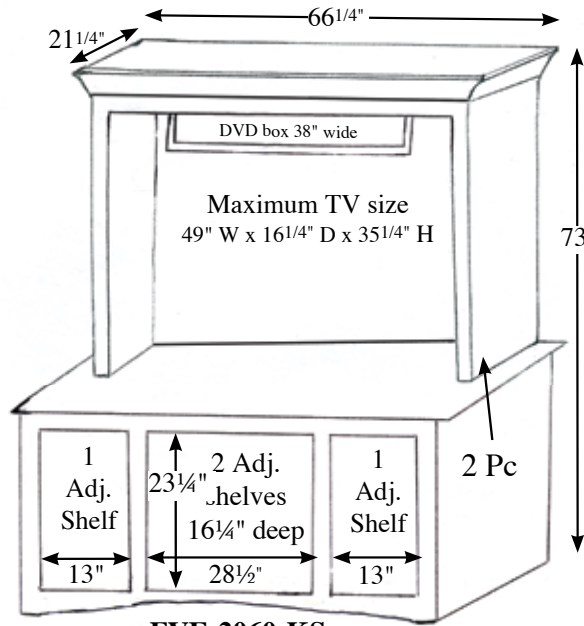
FVE-039-FCM
TV sits 22 1/2" off the floor

Dimensional Details

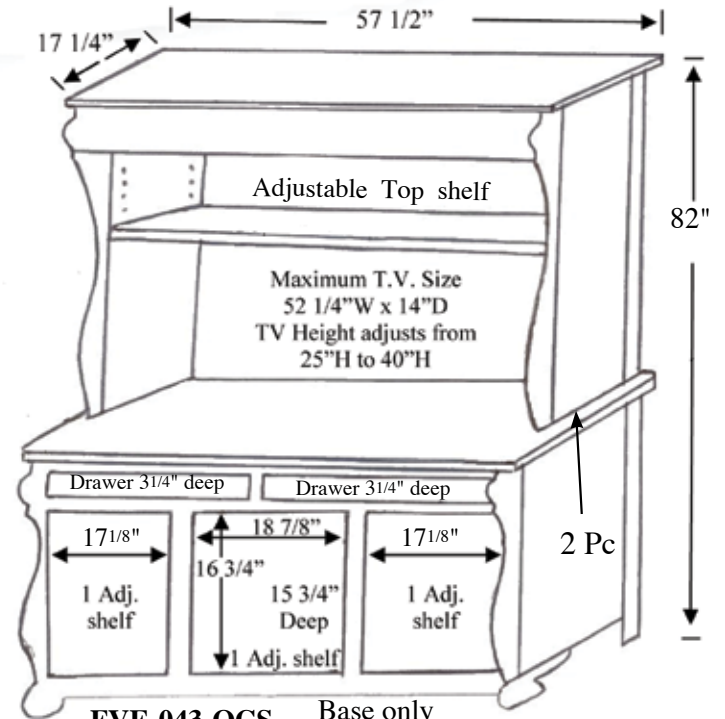
STANDS | CABINETS | CONSOLES



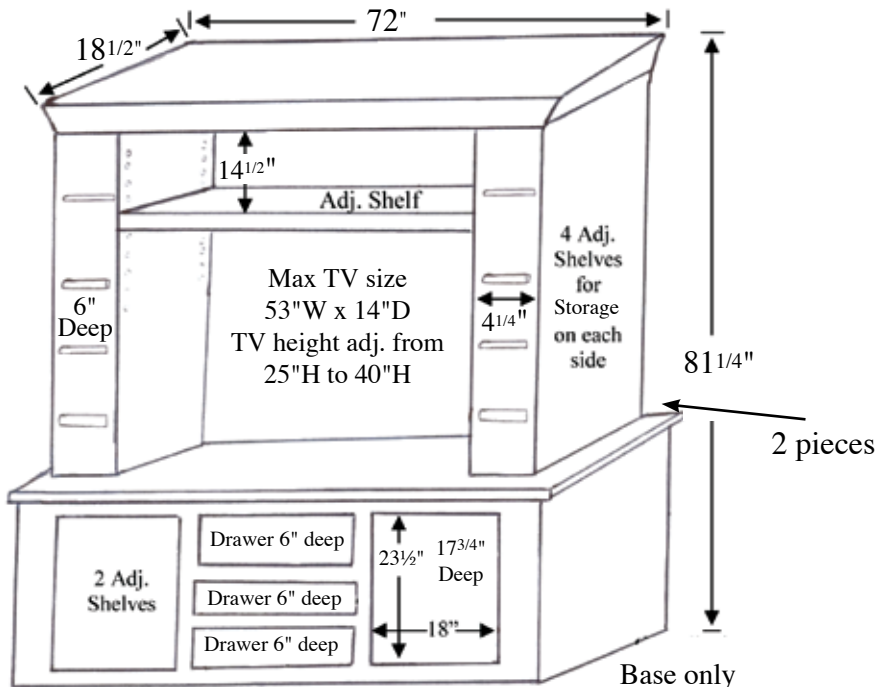
FVE-060-KS Base only
19 3/4" D x 63" W x 29" H



FVE-2060-KS
TV sits 29" off the floor

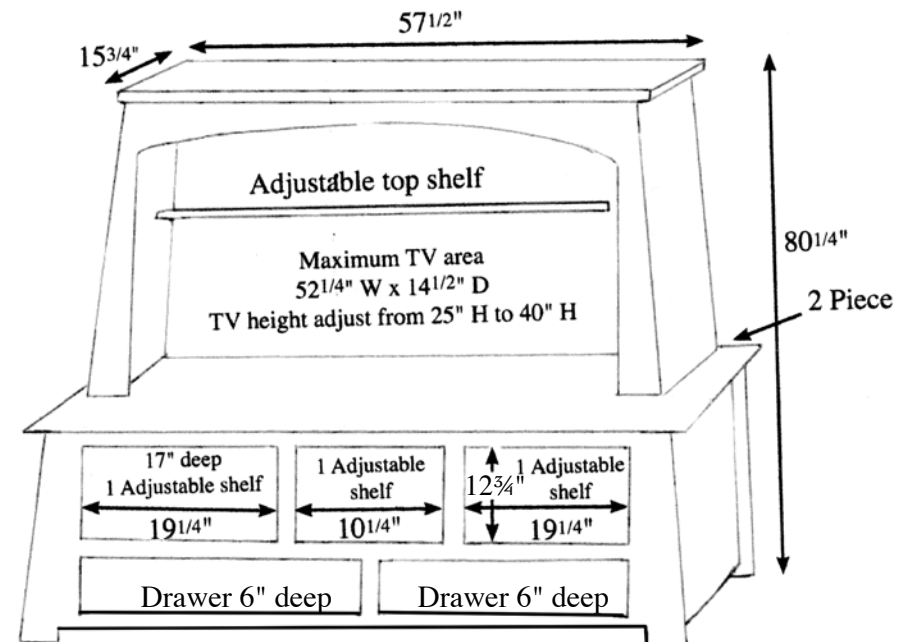


FVE-043-OCS Base only
60" W x 20 1/4" D x 30" H



FVE-047-MM
VS

Base only
67 1/4" W x 19 3/4" D x 30" H

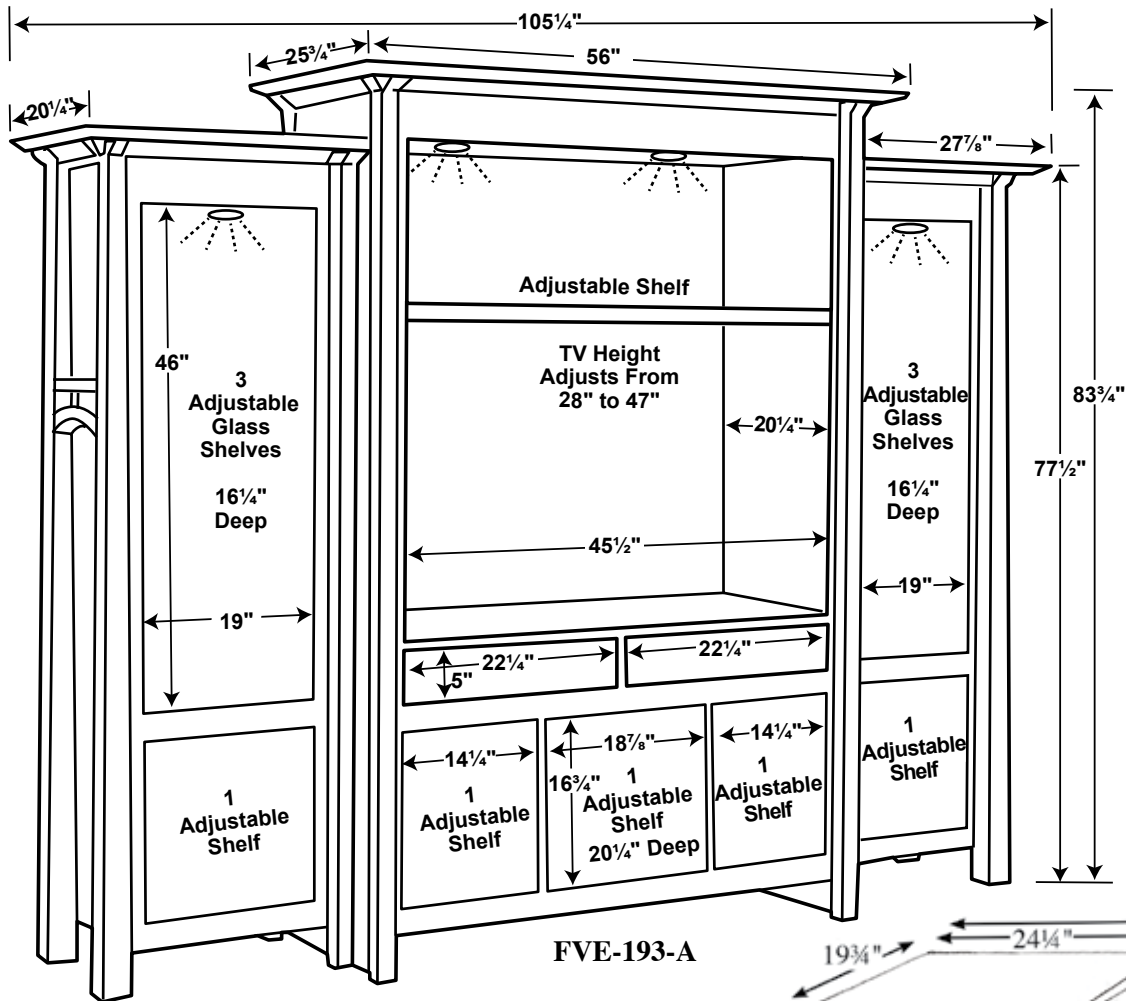


FVE-032-MD, CN

Base only
29" h x 60" w x 19 3/4" d

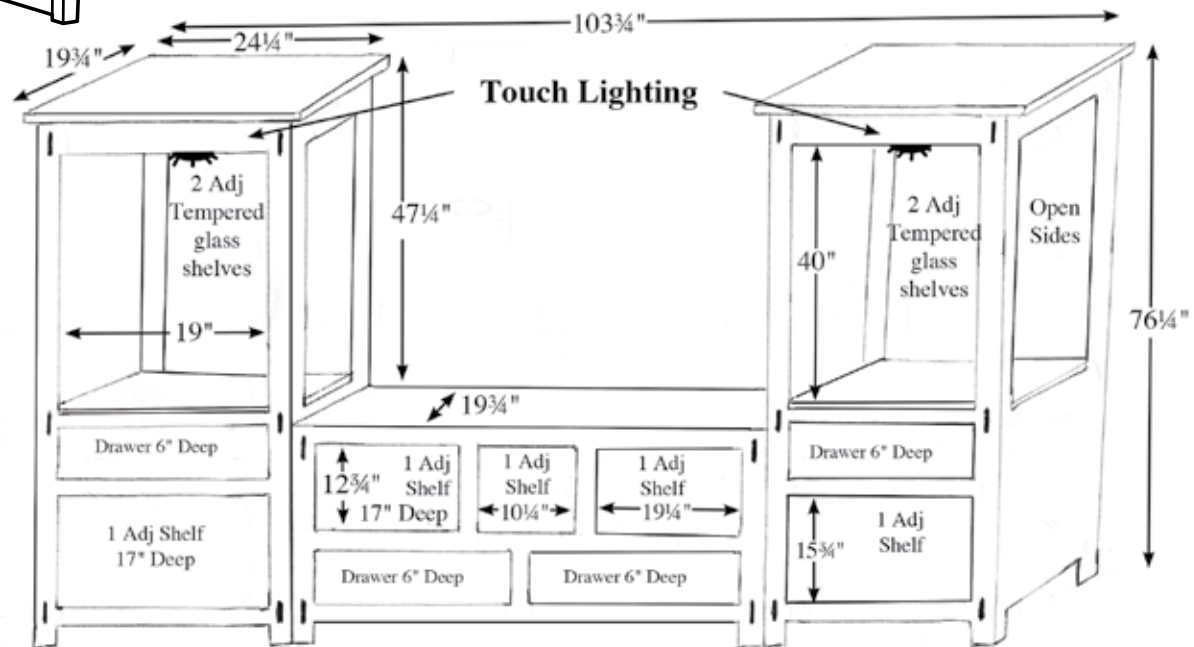
Dimensional Details

LARGE MEDIA CABINET SETS

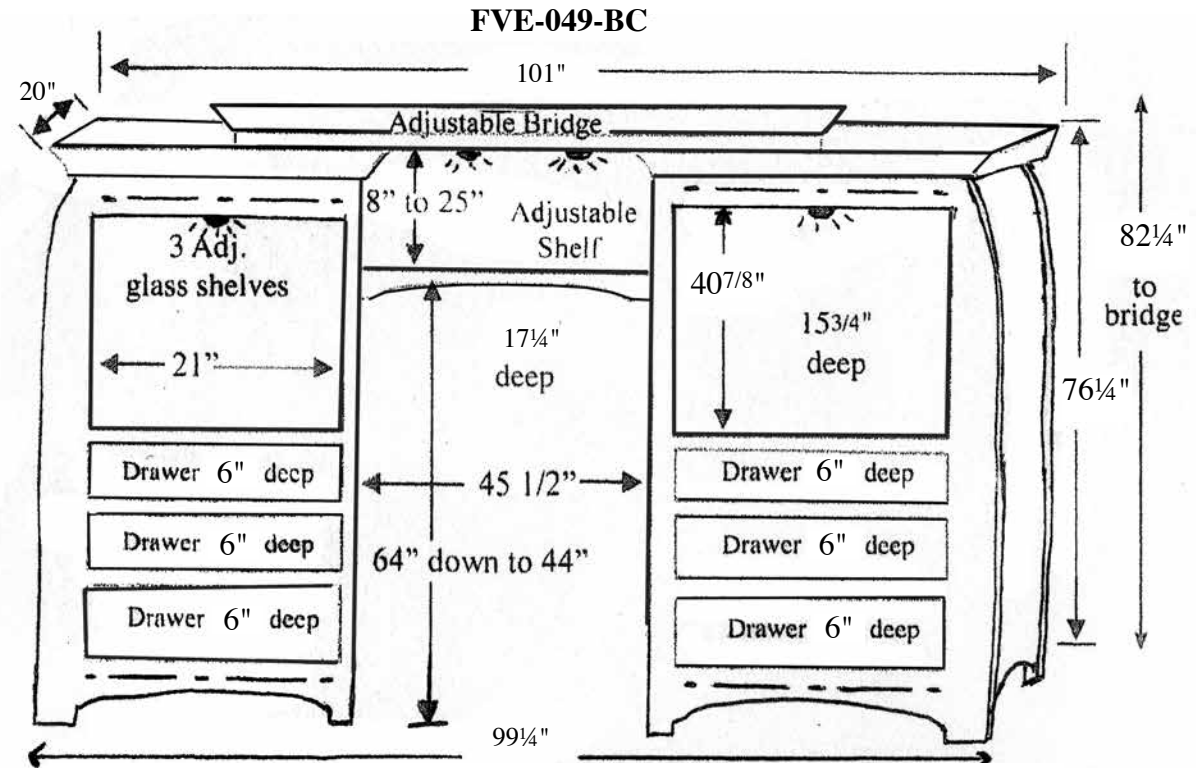


FVE-193-A

Console unit
57 1/4" Wide
19 3/4" Deep
29" High



FVE-5776-CN



Available in 5 different increments

45 1/2" Wide

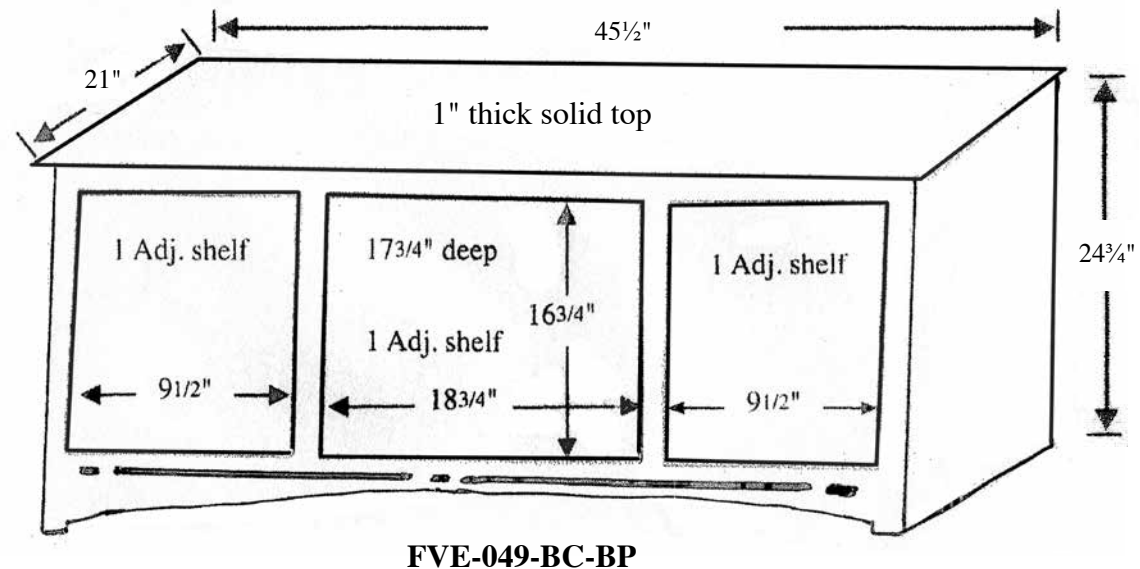
50 1/2" Wide

55 1/2" Wide

60 1/2" Wide

68 1/2" Wide

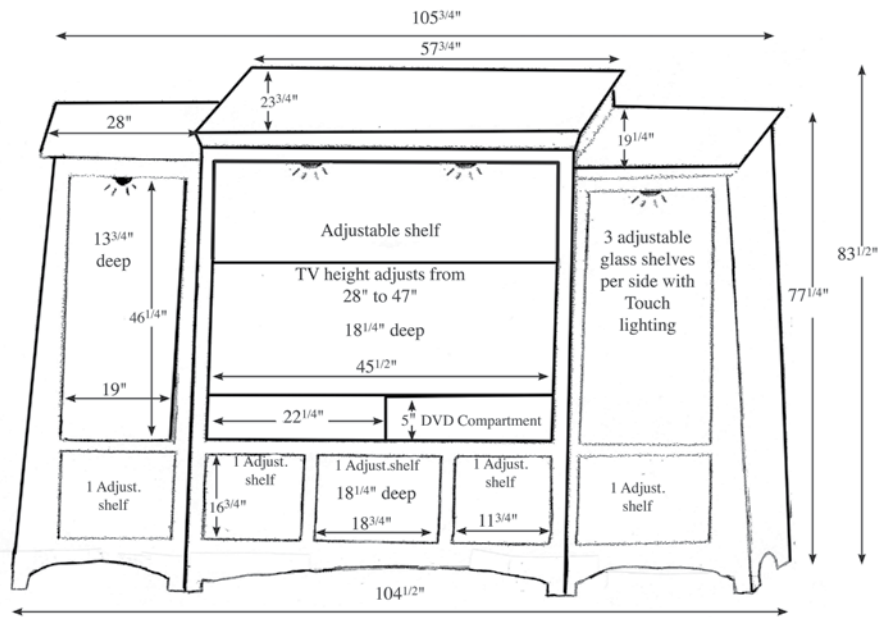
Please specify width when ordering



Dimensional Details

LARGE MEDIA CABINET SETS

FVE-193-CB



TV sits 31" off the floor

Unit can be ordered in

45½"

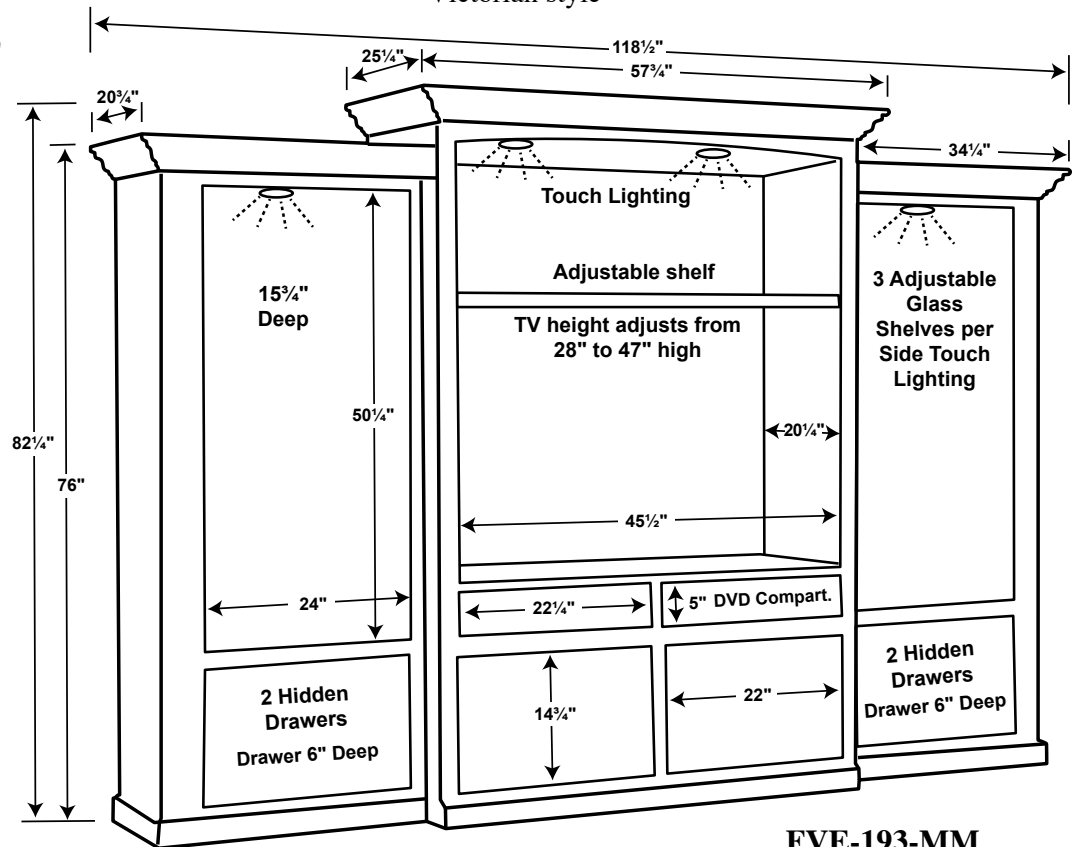
50½"

55½"

60½" wide TV area.

These overall measurements are for
Manhattan Mission.

Please deduct 2¼" in width for
Victorian style



**FVE-193-MM
VS**

TV sits 26¾" off the floor

Unit can be ordered in

45½"

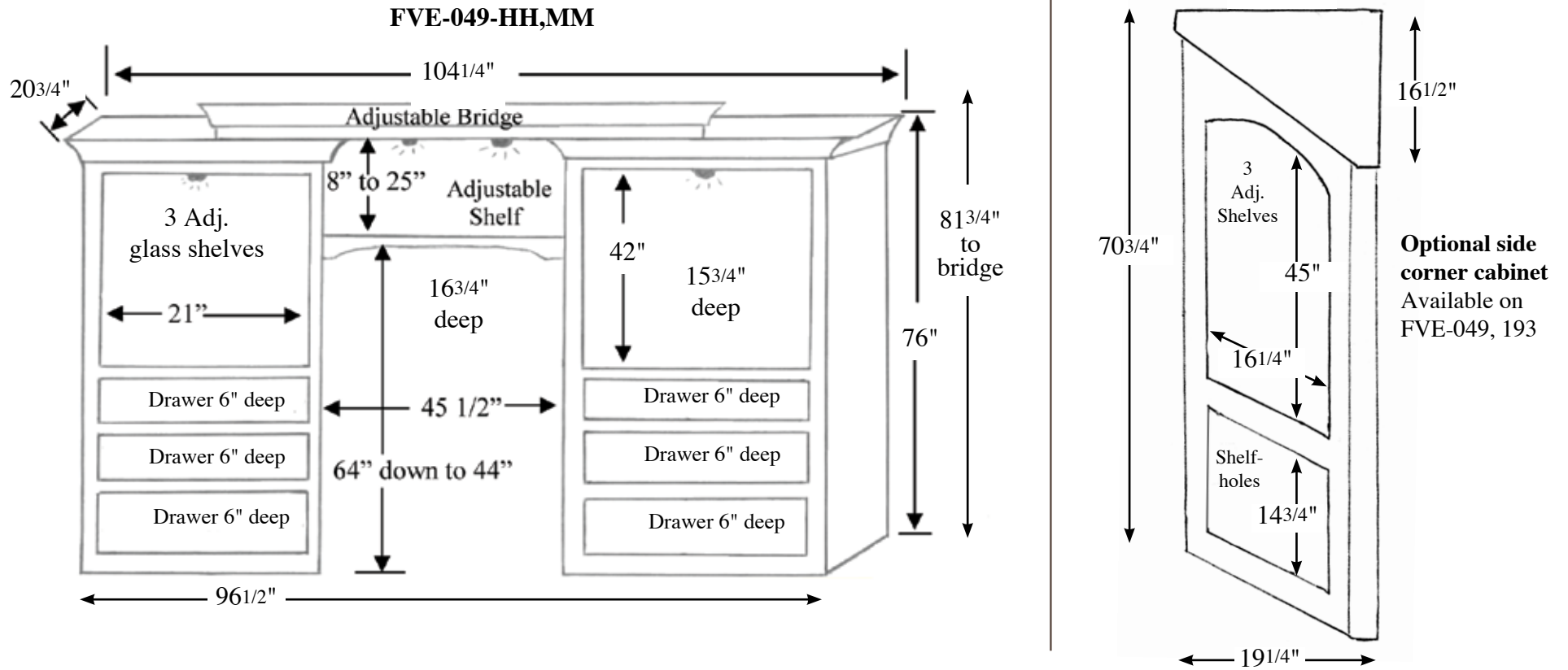
50½"

55½"

60½" wide TV area.

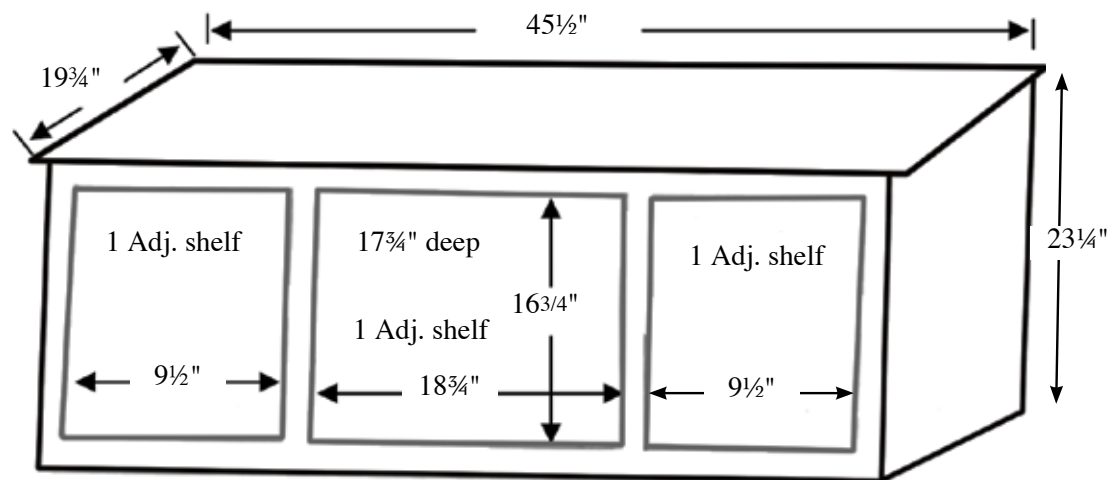
Dimensional Details

LARGE MEDIA CABINET SETS

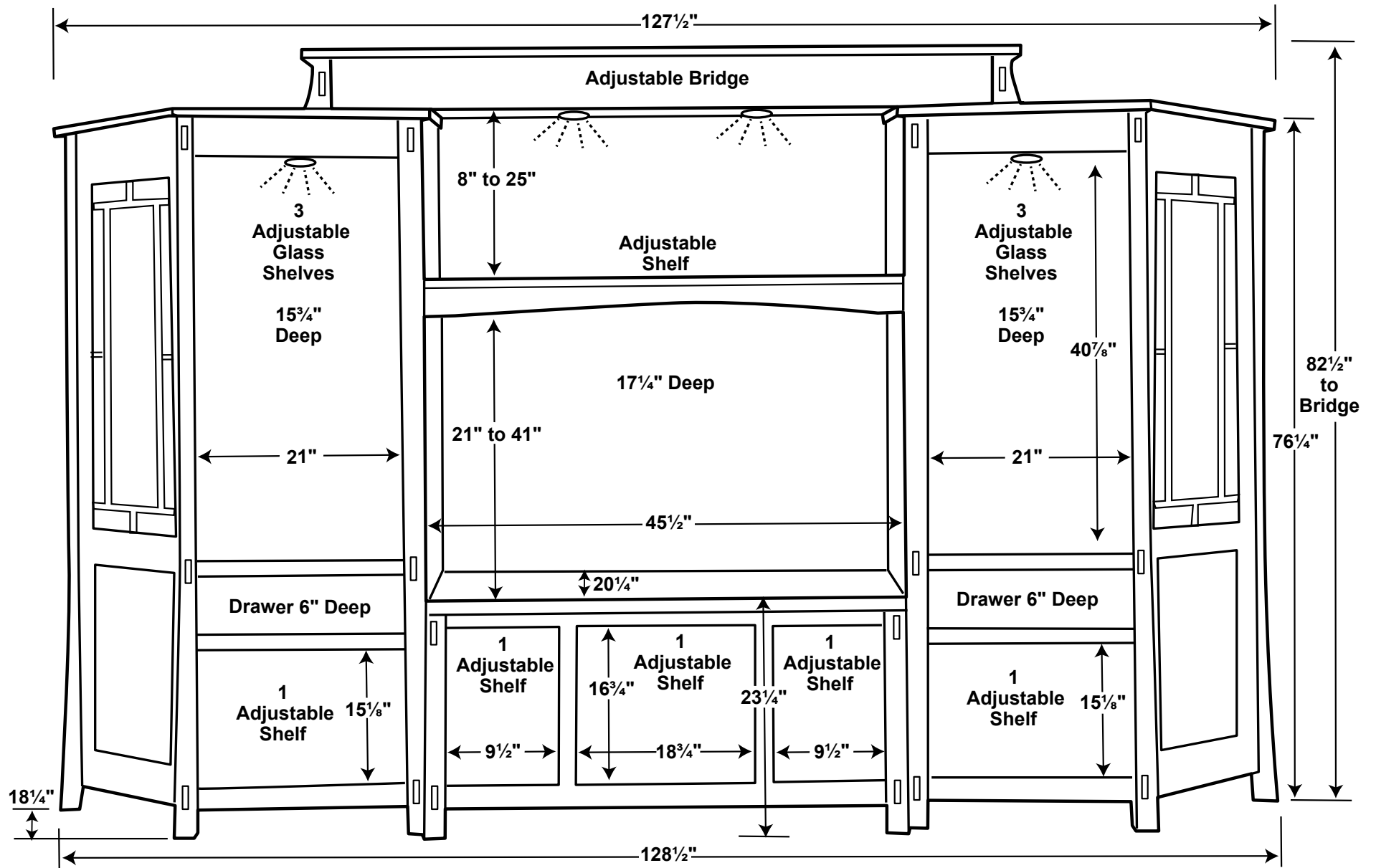


These overall measurements are for Manhattan Mission. Please deduct $2\frac{1}{4}"$ in width for Hoosier Heritage

FVE-049-HH-BP,MM-BP



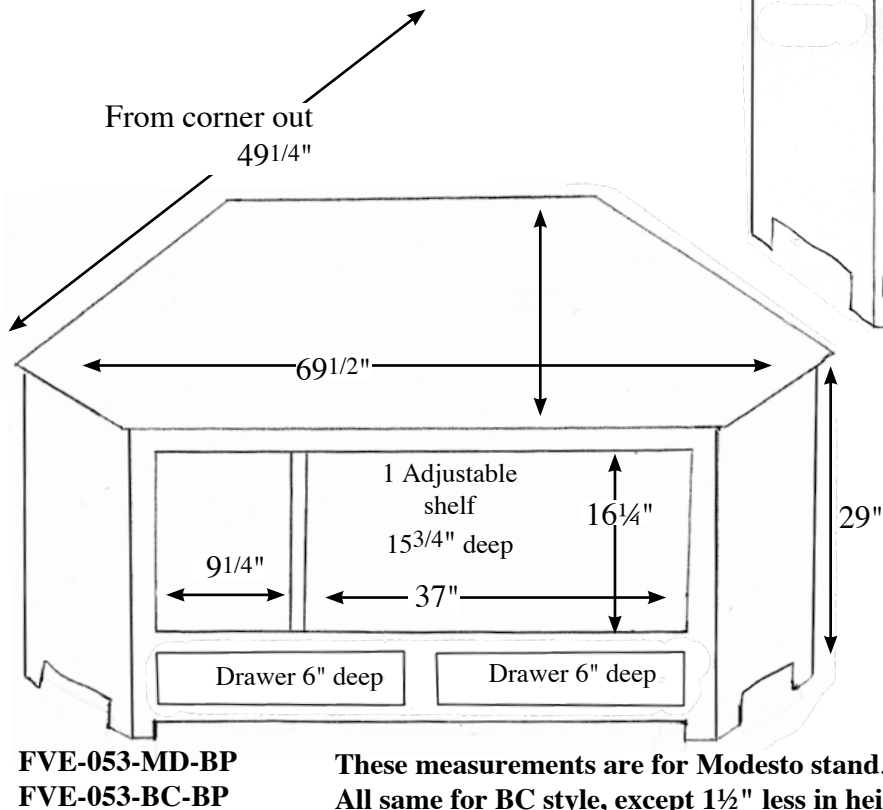
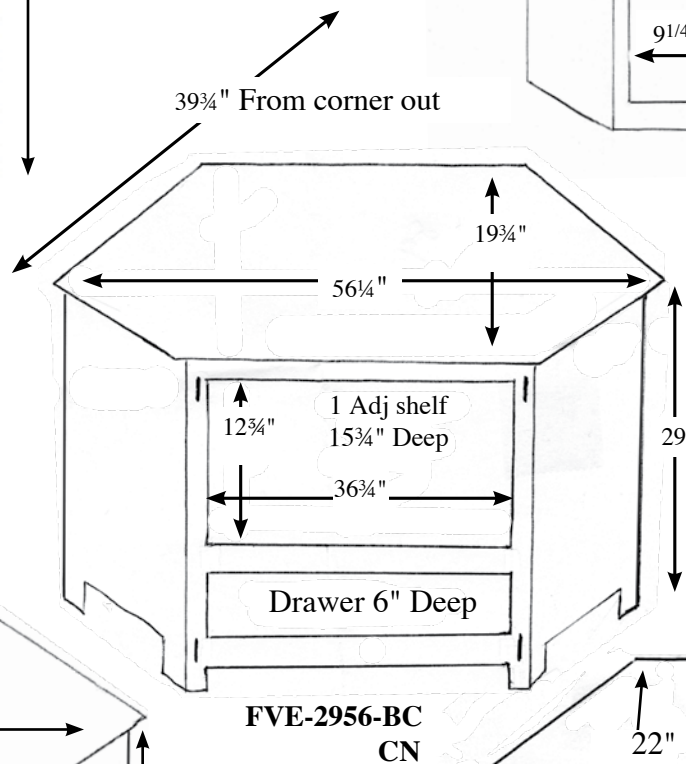
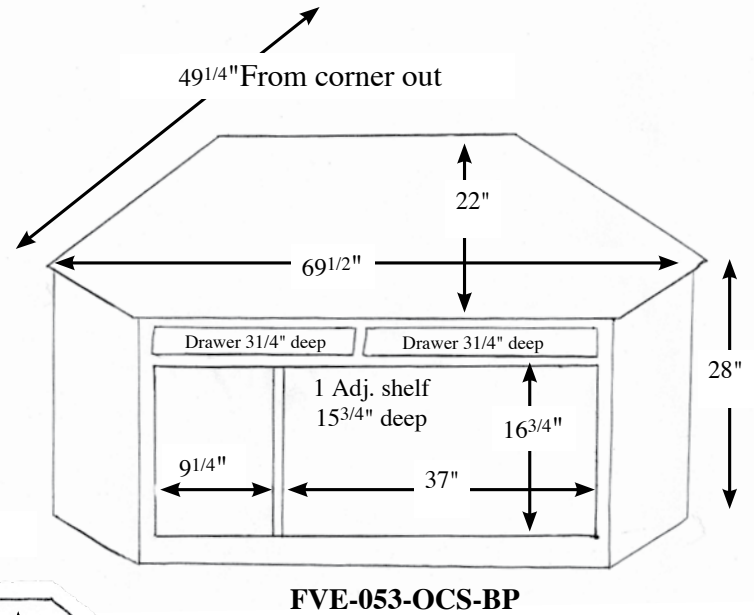
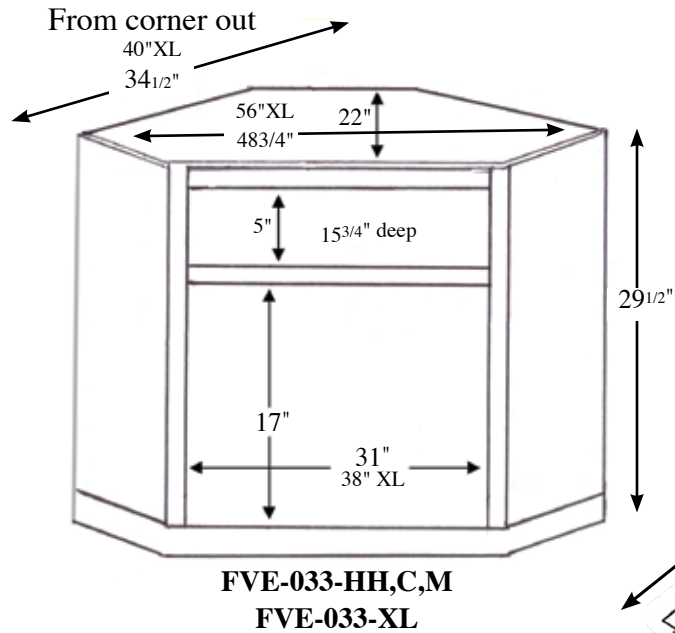
Hoosier Heritage and Manhattan Mission consoles have same dimensions
Available in $45\frac{1}{2}"$, $50\frac{1}{2}"$, $55\frac{1}{2}"$, $60\frac{1}{2}"$, $68\frac{1}{2}"$ wide
Height stays the same



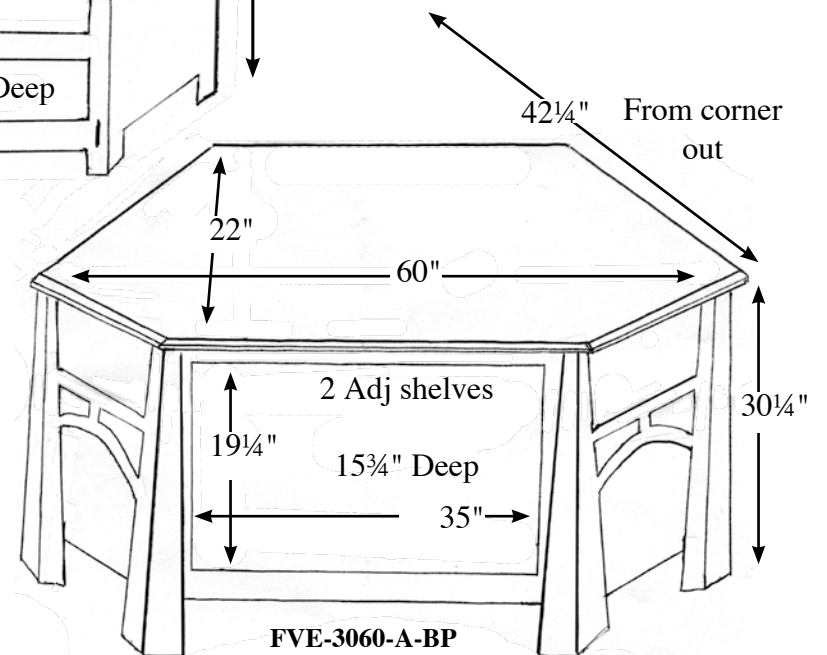
FVE-051-MD

Dimensional Details

CORNER CONSOLES & HUTCHES

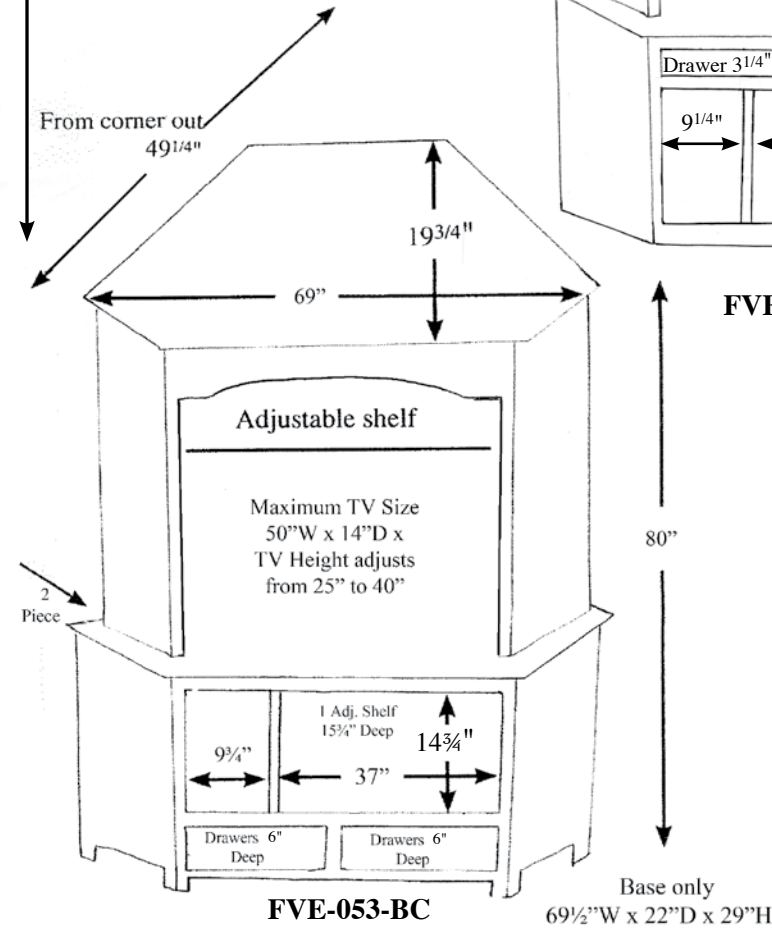
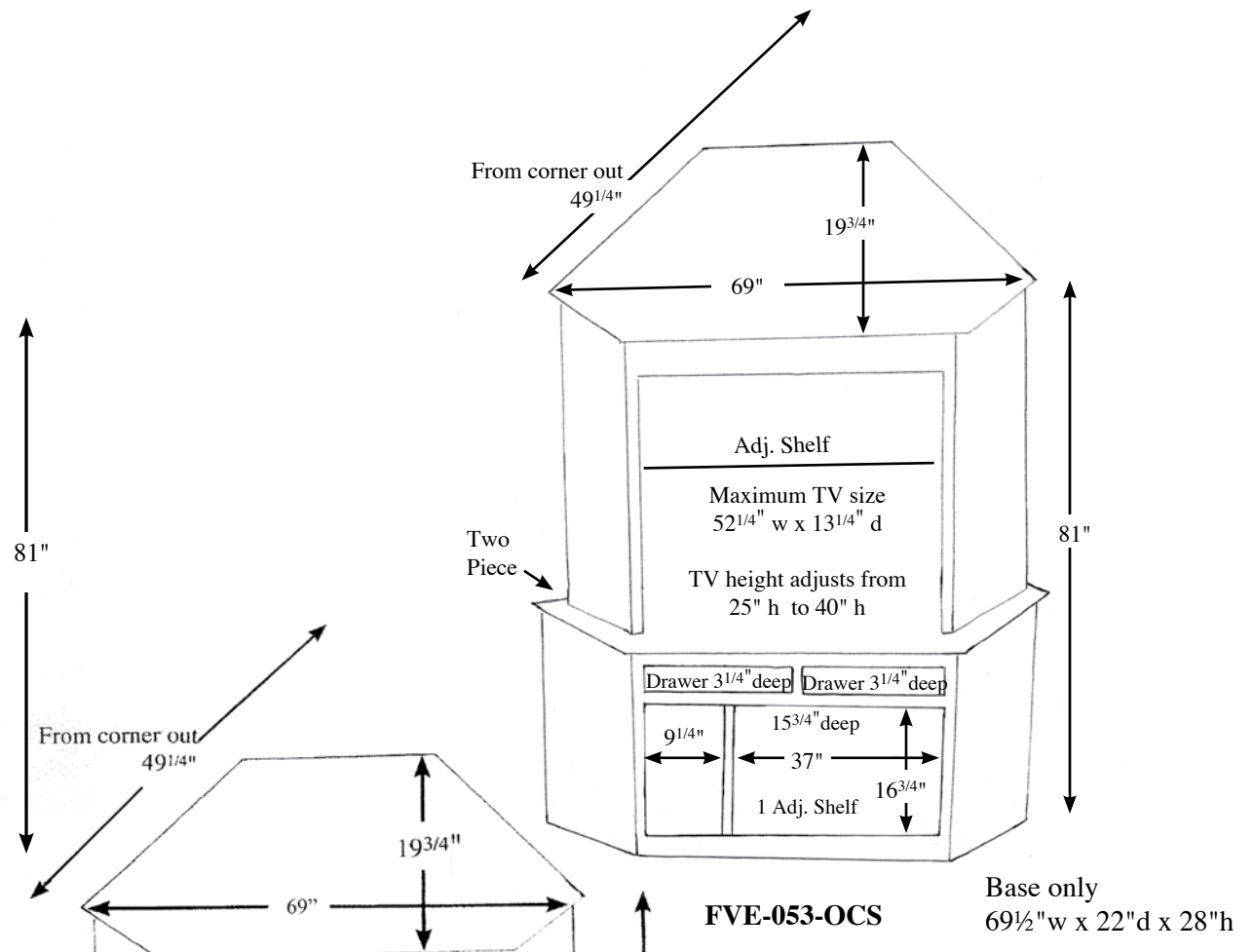
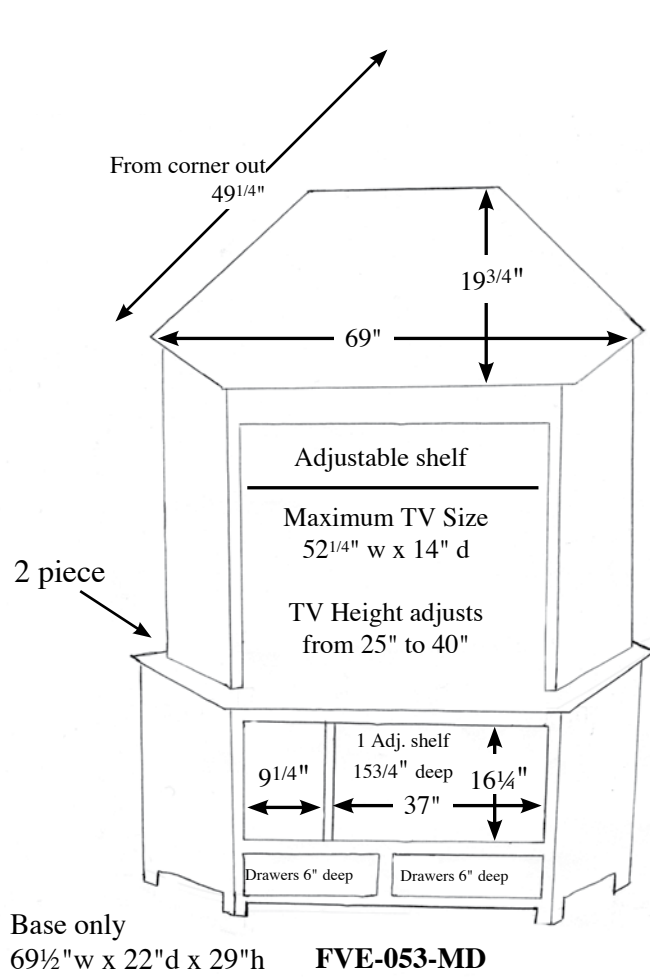


These measurements are for Modesto stand.
All same for BC style, except 1 1/2" less in height=door area



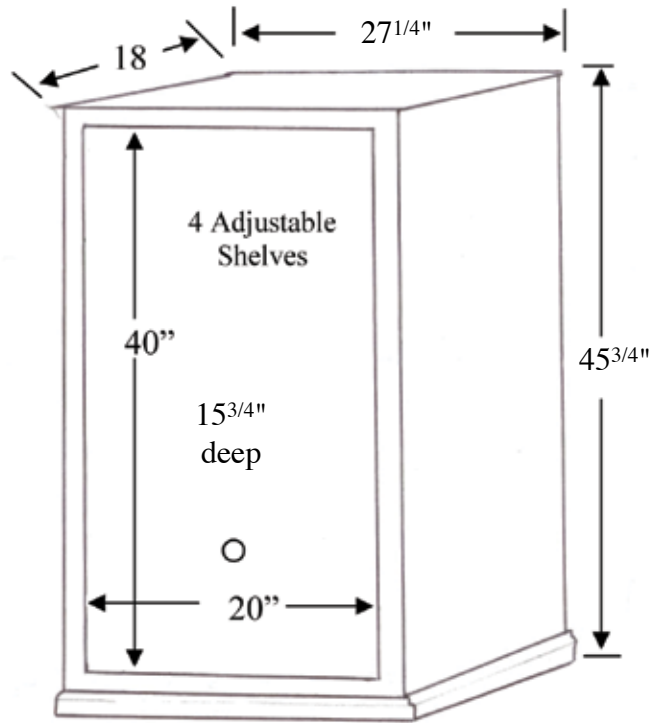
Dimensional Details

CORNER CONSOLES & HUTCHES

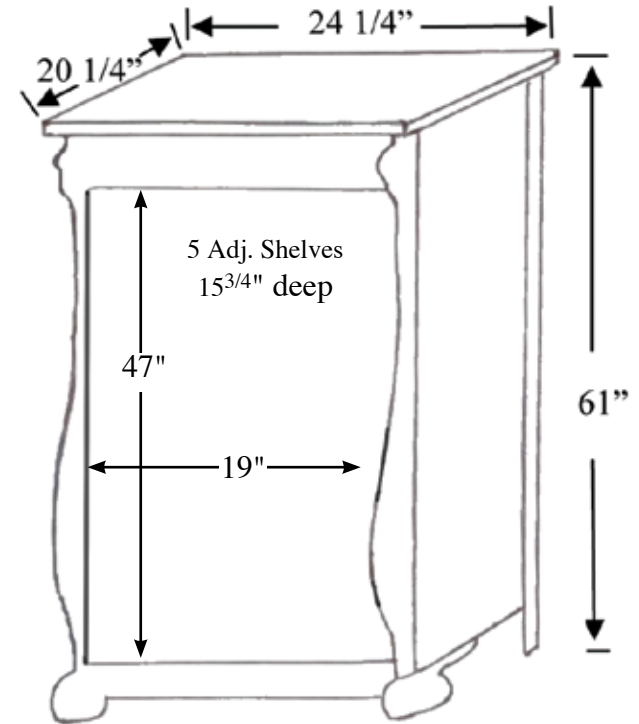


Dimensional Details

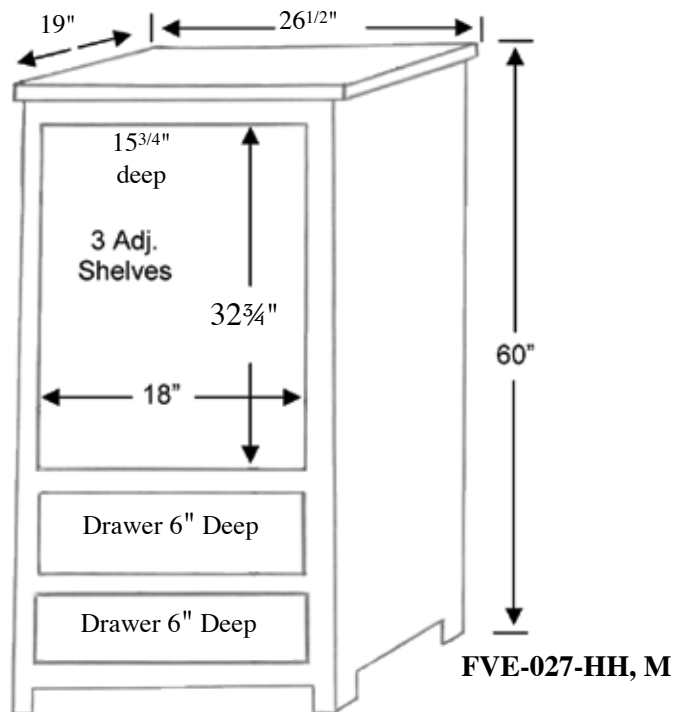
STEREO CABINETS



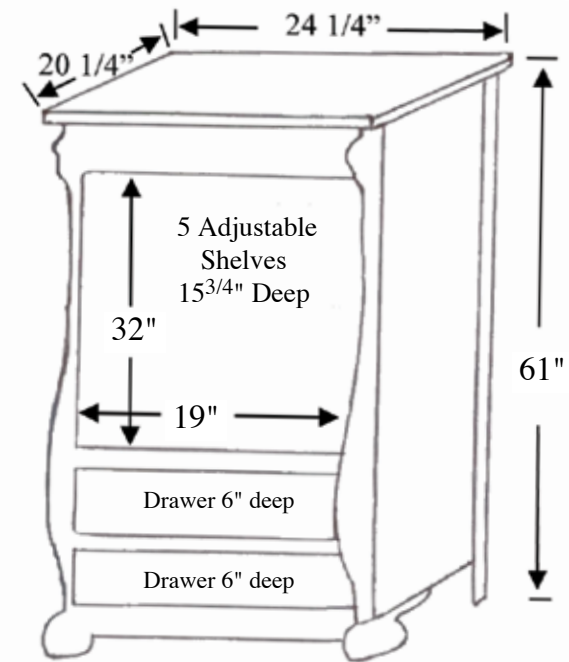
FVE-026-C, M



FVE-026-OCS



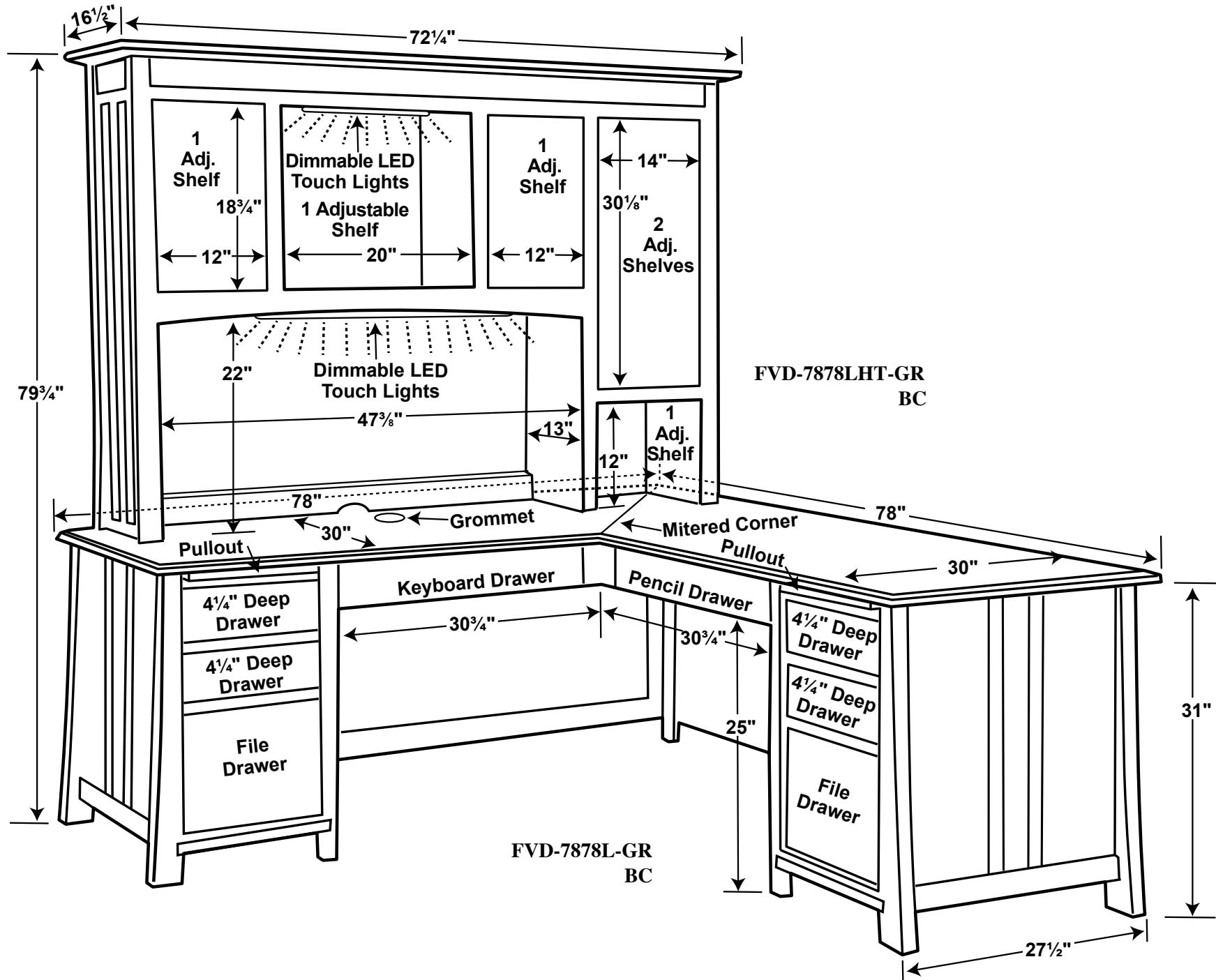
FVE-027-HH, M

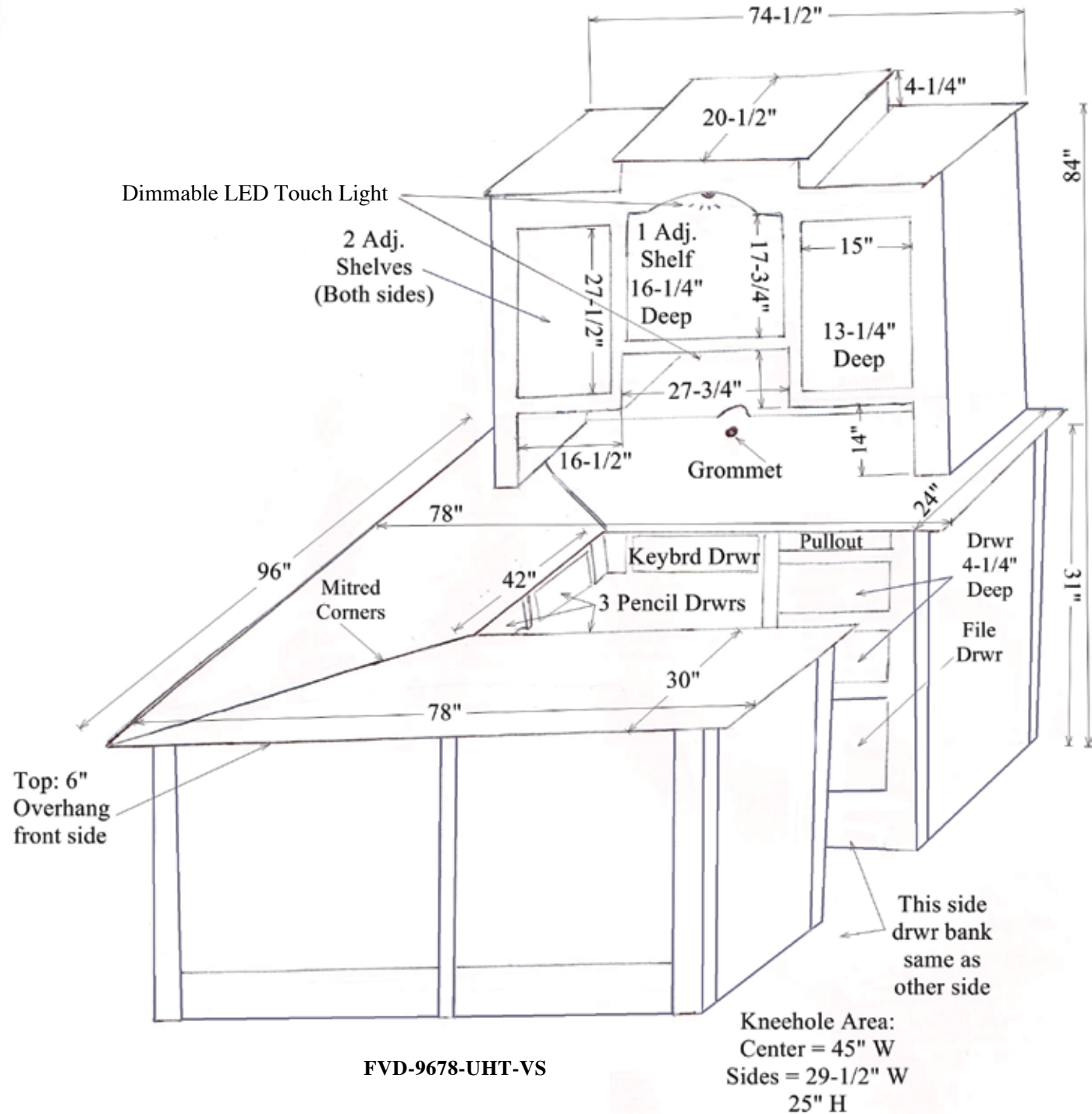


FVE-027-OCS

Dimensional Details

3 PIECE L DESKS BOULDER CREEK AND GRANT





FVD-9678-UHT-VS





**FORKS VALLEY
WOODWORKING**